



SHOWER TROLLEY

USER MANUAL



Thank you for choosing the Aspire Shower Trolley.
This product is designed to provide comfort, support, and safety.
**Please read this user manual carefully before using your
adjustable Shower Trolley.**

TABLE OF CONTENTS

| | |
|--|----|
| 1. Symbols Used on the Product | 4 |
| 2. Symbols Used in this Manual | 5 |
| 3. Introduction | 6 |
| 4. Safety Precautions | 6 |
| 5. Specifications & Inclusions | 8 |
| 6. Accessories | 11 |
| 7. Handset Operation | 12 |
| 8. Assembly Instructions | 14 |
| 9. Instructions for Use | 18 |
| 10. Transfer Instructions | 22 |
| 11. Technical Specifications | 26 |
| 12. Dimensions | 27 |
| 12. Cleaning | 31 |
| 13. Service & Maintenance | 32 |
| 14. Warranty & Service | 33 |
| 15. Manufacturer, EU Representative & Importer Details | 34 |



IMPORTANT: Do not use the Aspire Shower Trolley without first reading this user manual.



This product features the UKCA mark, in compliance with Part II UK MDR 2002 (as amended) Class 1.



This product features the CE mark, in compliance with the Medical Devices Regulation 2002 (as amended) Class 1, and the Medical Device Regulation 2017/745

© Aidacare Limited 2024

No part of this user manual may be copied, distributed, reproduced, scanned, or stored in any electronic database, whether in whole or in part, by any means.

Due care has been taken to ensure all the information contained in this user manual is correct at the time of printing. All measurements, pictures, colours and weight capacities are to be used as a guide only. We reserve the right to modify the design or appearance of any product displayed in this user manual without prior notice.

1. SYMBOLS USED ON THE PRODUCT



*Please note: Stickers are shown for illustration purposes only.

| | | | |
|----|--|--|---------------------------------|
| # | Product Code | | UKCA Mark |
| SN | Serial Number | | CE Mark |
| | Type B as per IEC50501-1 | | Read User Manual |
| | Maximum Patient Weight | | Caution |
| | Importer | | Safe Working Load |
| | Country of Manufacture | | Authorised Representative in EU |
| | Includes Electronics components and should be mixed with general household waste | | Medical Device |

2. SYMBOLS USED IN THIS MANUAL

The symbols below are used throughout this user manual and on the product to identify warnings and important information. It is very important for you to read them and understand them completely.

- WARNING!** Indicates a potentially hazardous situation. Failure to follow designated procedures may result in personal injury, component damage, or malfunction. On the product, this icon is represented as a black symbol on a white triangle with a black border.
- ALWAYS!** These actions should be performed as specified. Failure to perform mandatory actions can cause personal injury and/or equipment damage. On the product, this icon is represented as a white infinity symbol on a black dot with a white border.
- DO NOT!** These actions are prohibited. These actions should not be performed at any time or in any circumstances. Performing a prohibited action can cause personal injury and/or equipment damage. On the product, this icon is represented as a white symbol with a black circle and black slash.
- WARNING** **WARNINGS** highlighted throughout this manual identify possible hazards in procedures or conditions which if not followed correctly could result in serious injury, or fatality.
- CAUTION** **CAUTIONS** highlighted throughout this manual identify possible hazards in procedures or conditions which, if not followed correctly, could result in equipment damage or failure.

ASPIRE SHOWER TROLLEY



MAXIMUM PATIENT WEIGHT

This weight represents the total maximum weight of a patient on the Shower Trolley. This weight (180kg / 28.3st) should not be exceeded at any time.



SAFE WORKING LOAD (SWL)

This weight represents the total maximum weight that the Shower Trolley can carry, including patient, accessories and water. This weight (200kg / 31.5st) should not be exceeded at any time.

3. INTRODUCTION

The Aspire Shower Trolley is designed for healthcare environments, including facilities and hospitals. It features a stainless steel frame and utilizes plastic and PU components.

These shower trollies are suitable for adult patient care and should only be used under the instruction of a carer or healthcare professional.

MAXIMUM PATIENT WEIGHT

This weight represents the total maximum weight of a patient on the Shower Trolley. This weight should not be exceeded at any time.



SAFE WORKING LOAD (SWL) INCLUSIVE OF PATIENT AND WATER WEIGHT

This weight represents the total maximum weight that the Shower Trolley can carry, including patient(s), accessories and water. This weight should not be exceeded at any time.

- Stainless steel construction with powder-coated finish



- Features a 3-position side rail
- Extendable patient platform for versatility
- Backrest angle adjustable up to 15° for patient comfort
- Tilt function for effortless water drainage
- Height adjustment for easy transfers and comfortable working height

4. SAFETY PRECAUTIONS

This User Manual must be read in its entirety before using the Shower Trolley. This manual is intended to provide users with the necessary information to competently and responsibly operate the Shower Trolley.

Keep the User Manual in an easily accessible place for quick reference.

All warnings and cautions within this manual should be strictly adhered to. Failure to do so could result in harm to the carer or user.

GENERAL

- Electrical equipment can be hazardous if not used correctly.
- The clinically qualified person responsible should consider the age, size and condition of the patient before using the Shower Trolley and accessories.
- The maximum safe working load of the Shower Trolley is 200kg / 31.5st. Inclusive of patient and water weight and accessories.



ALWAYS check with your healthcare professional prior to using this Shower Trolley.



ALWAYS apply the brakes when the Shower Trolley is stationary.



ALWAYS ensure brakes remain locked when transferring into or out of the Shower Trolley.



ALWAYS ensure that attendant and patient limbs are free from potential entrapment areas before operating any functions.



ALWAYS ensure side rails are in a locked position to prevent patient from falling out.



DO NOT leave any patient unattended.



DO NOT use on slope surfaces exceeding a ratio of 1:50 or 1.15°.



DO NOT use this product without reading the user manual in its entirety.



DO NOT sit on the head or foot end of the Shower Trolley



DO NOT use if defective.



DO NOT make any changes or modifications to this product without consultation from your Aspire Dealer.

5. SPECIFICATIONS & INCLUSIONS

5.1 BEFORE USE (PREPARATIONS)

1. Visually check for any damaged or missing components
2. Read the user manual before use.
3. Recharge the battery to full before using for the first time.
4. Perform functionality test

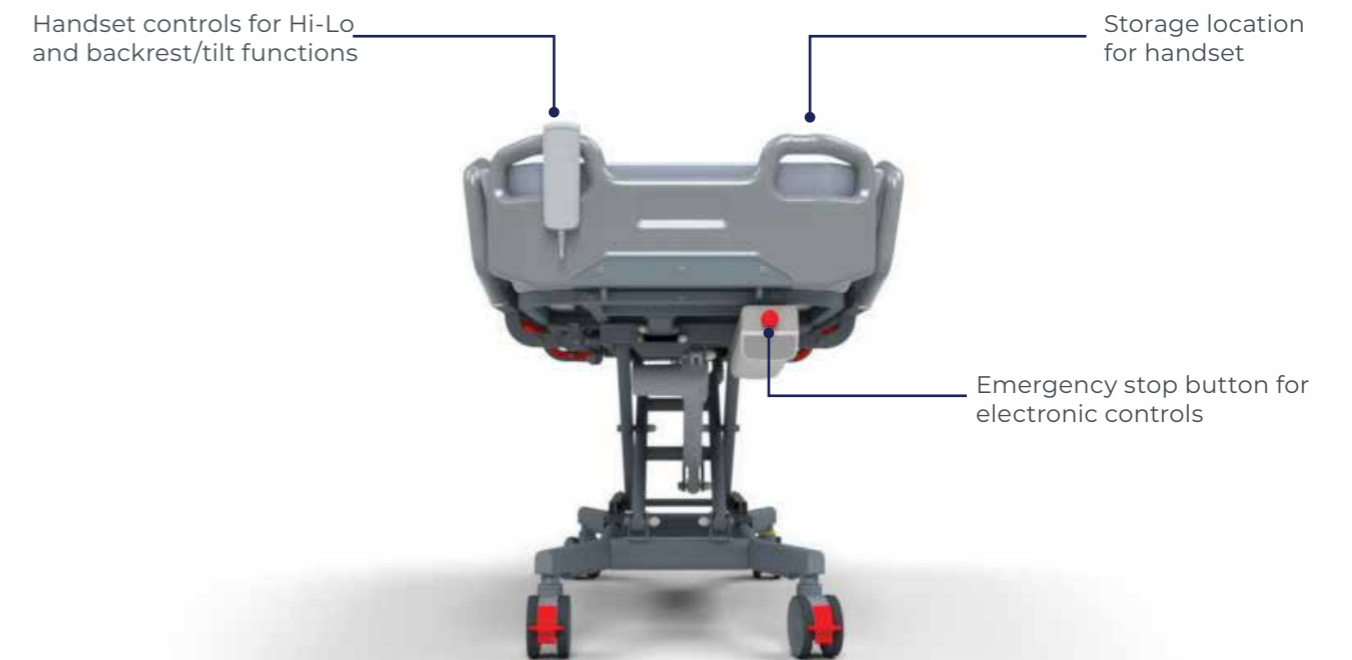
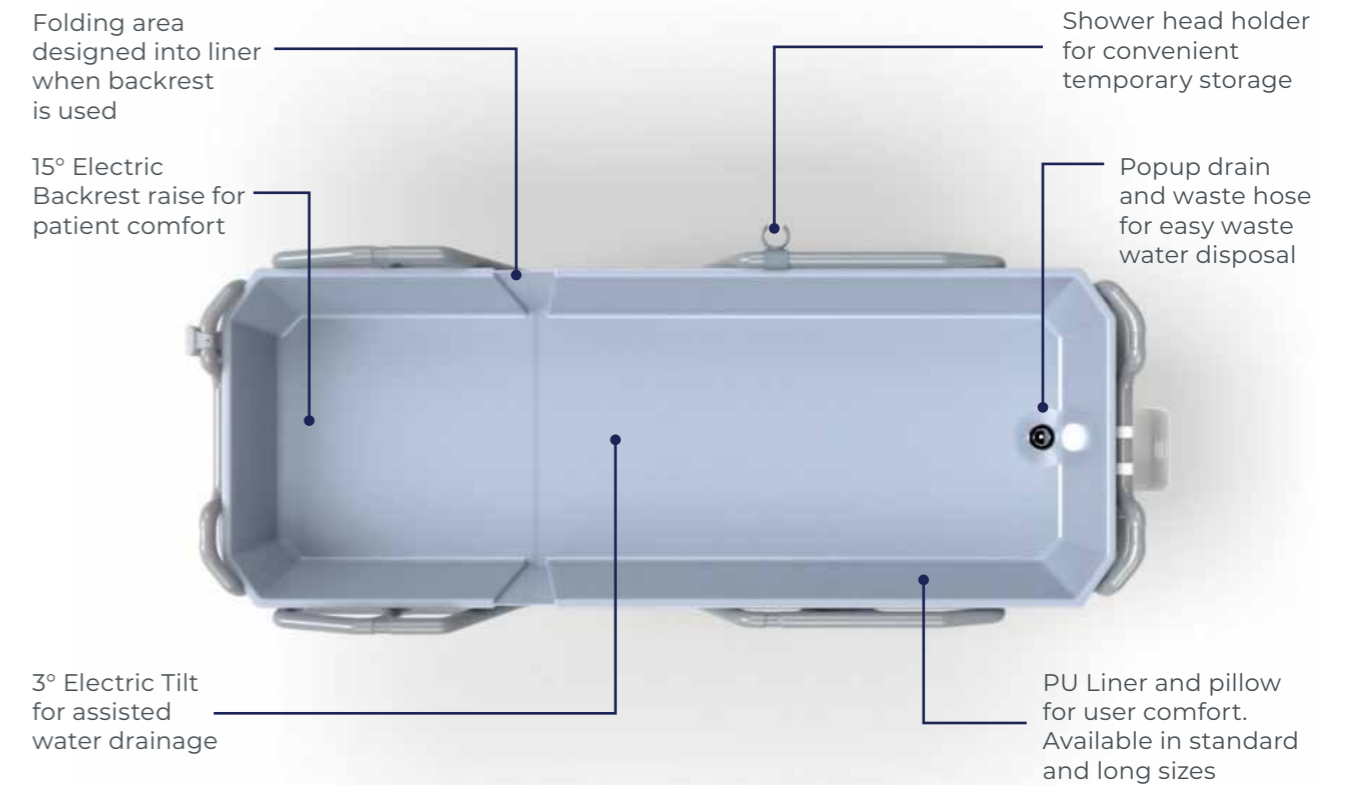
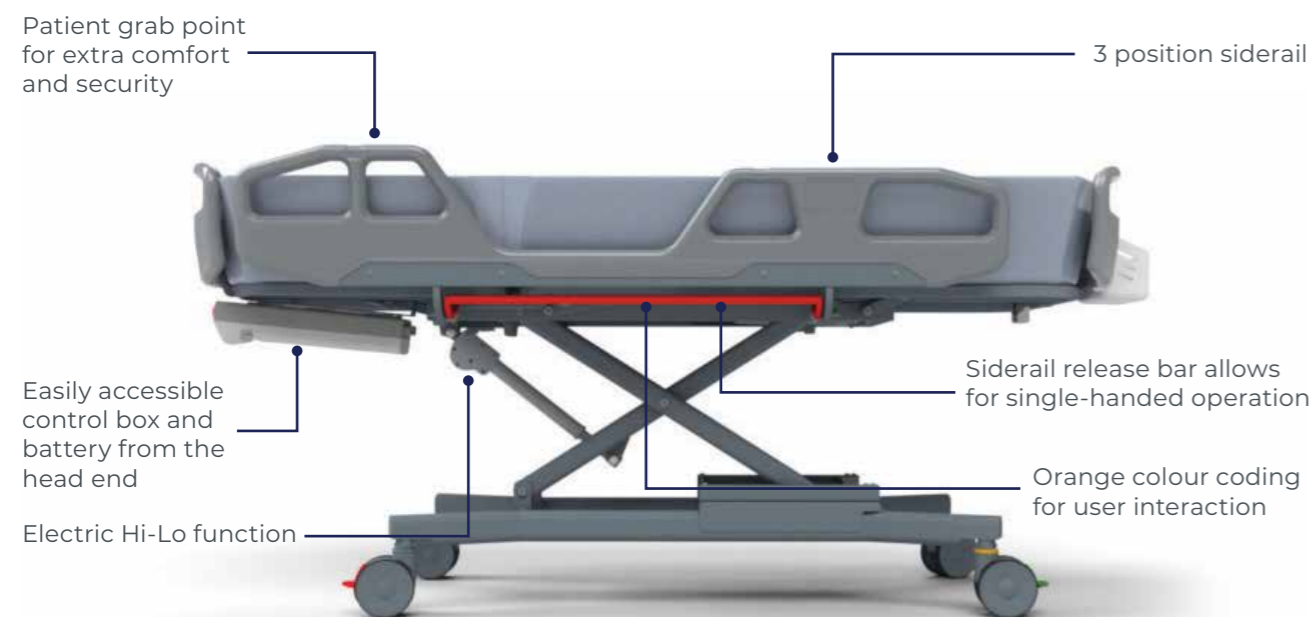


SPECIFICATIONS & STANDARD INCLUSIONS

- Shower Trolley
- Standard Liner
- Liner pillow
- Drainage assembly

5.2 PRODUCT FEATURES


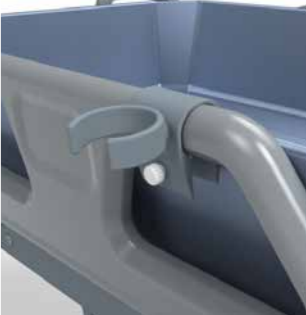
PARTS OF THE SHOWER TROLLEY





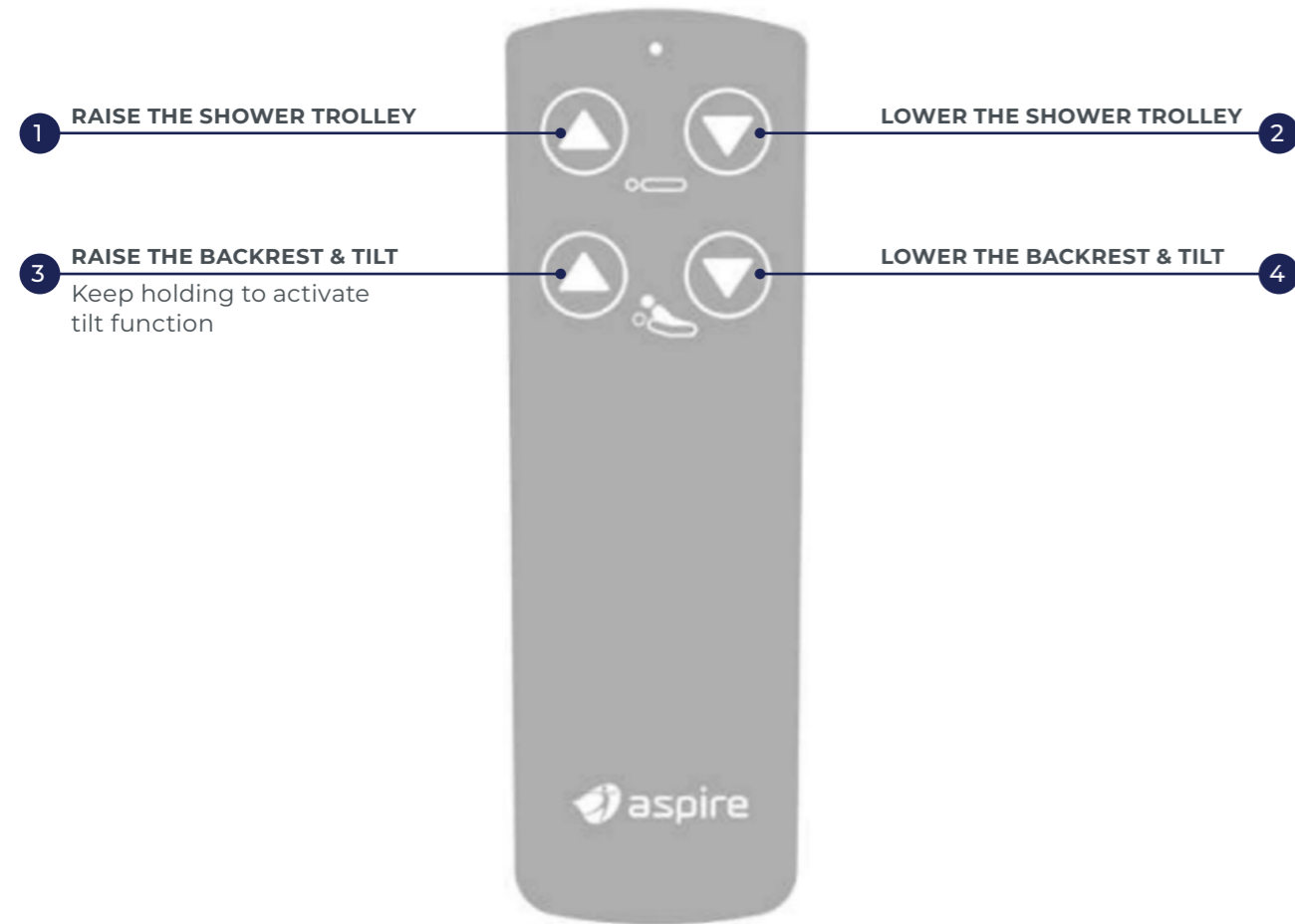
6. ACCESSORIES

All items are sold separately. The standard liner is included as part of your shower trolley.

| CODE | DESCRIPTION | IMAGE |
|-----------|---|---|
| BTS148115 | Liner - Standard 1800L x 600W |  |
| BTS148120 | Liner - Long 2100L x 600W |  |
| BTS148130 | Accessory Basket |  |
| BTS148125 | Shower head holder |  |

7. HANDSET OPERATION

The Aspire Shower Trolley is operated using a handset that controls two main functions: Hi-Lo and backrest/tilt.



7.1 HANDSET



The handset can be hung in the recesses provided in the rails and headboards.

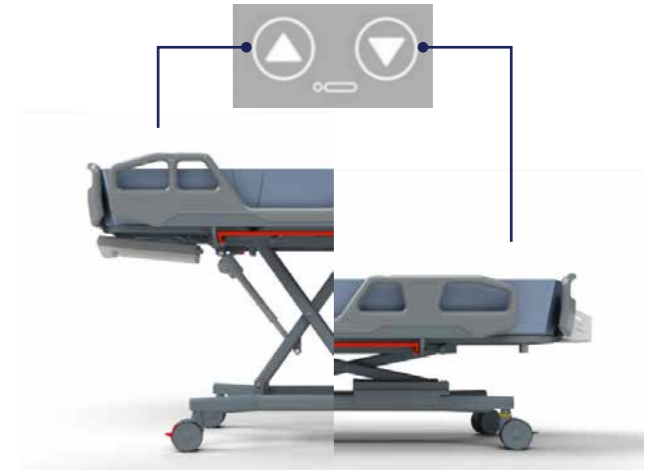
7.2 EMERGENCY STOP



The Emergency stop button can be found at the head end of the Shower Trolley. It halts any unintended movement of the Hi-Lo or backrest/tilt functions. If functions are not working as intended, check if the emergency stop is engaged.

7.3 HI-LO

The Hi-Lo function facilitates easier transfer and caregiving positions, offering a range from 450mm to 900mm from the floor.

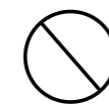
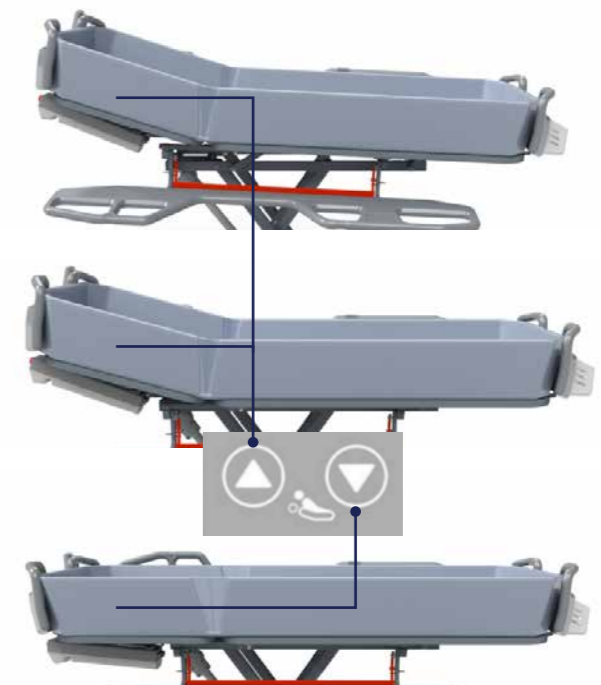


7.4 BACKREST/TILT

The Shower Trolley is equipped with electrically adjustable back support and an assisted water drainage function.

The backrest raises first, allowing the patient to assume a more comfortable position, with a maximum angle of 15°. To activate, press and hold the raise backrest/tilt button on the handset.

Continuously hold the backrest/tilt function button to activate the tilt function. This feature will gradually tilt the platform forward, up to a maximum of 3°, aiding in water drainage.



DO NOT provide care to patients while the trolley is in the tilt position.



WARNING

Only use tilt position to drain water out of the trolley

8. ASSEMBLY INSTRUCTIONS

8.1 UNBOXING INSTRUCTIONS

- 1 Cut open the top of both boxes.
- 2 Cut down one long side of the box and fold the side down, creating a ramp.



- 3 Roll the shower trolley out of the box.



- 4 Cut the zip ties securing the side rail frame to the base. There is one zip tie for each rail frame.

DO NOT pull the side rail frame free.

- 5 Insert a battery into the control box and raise the shower trolley to avoid damaging the base.
- 6 Ensure that there are 2 side rails, 2 head/foot rails, and 1 battery charger and cradle, and 1 battery.



8.2 SIDE RAIL ASSEMBLY

- 1 Unpack the long plastic rail.
- 2 Fit the plastic rail into the side rail frame, ensuring the taller side is positioned towards the head end of the shower trolley.



- 3 Secure the side rail with the provided bolts. There are 8 bolts per rail.
- 4 Tighten properly with a Number 4 Allen key.
- 5 Repeat steps 1–4 for the other side.



8.3 HEAD AND FOOT RAIL ASSEMBLY

- 1 Unpack the short curved rails.
- 2 Fit the rails into the head and foot rail frames. The concave edges need to face towards the shower trolley deck.



- 3 Secure the rails with the provided bolts. There are 6x bolts per rail.
- 4 Tighten with a Number 4 Allen key.



8.4 ATTACH SIDE RAIL SPRINGS

- 1 Lock the side rails into the upper locked position.

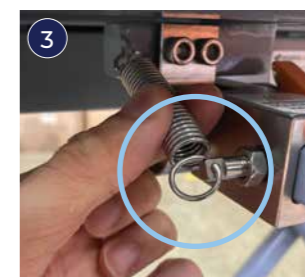


- 2 Loosen the nut on the spring attachment point using a size 10 spanner.



- 3 Hook the spring into the hole and adjust its position to ensure a secure fit, keeping it away from the edge of the spring.

Note: Loosening the attachment point makes installing the spring easier for the user.



- 4 Tighten the nut to secure the position of the spring attachment point.

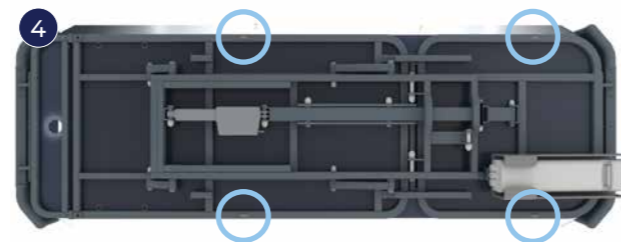


- 5 Repeat for all 4 corners of the side rail frame.
- 6 Test the side rail, ensuring the spring has enough length and won't come loose.

8.5 SHOWER TROLLEY LINER

- 1 Unfold liner onto the shower trolley deck.
- 2 **WARNING** If using deck extension the long liner must be used.
The V shape lines up with the backrest hinge and the hole lines up with the drain hole on the deck.

- 3 Secure the liner with the clips on the underside of the shower trolley deck.



- 4 Slot the flap over the twist clip.



- 5 Lock in place by twisting the clip to the closed position.
- 6 Repeat for all 4 clips.
- 7 Insert the drain assembly as described on page 17.



SHOWER TROLLEY LINER REMOVAL

To remove the liner, locate the tie-down points on the edges of the deck and then remove the drain from the deck. Refer to page 17 for drain assembly.



8.6 DRAINAGE

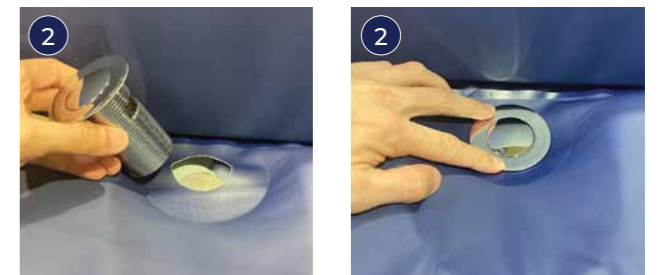
The Shower Trolley includes a waste water drainage hose and a drain. The drain includes a pop-up stopper that can be engaged to allow water to accumulate. To clean the drain, unscrew the locking ring nut to remove it from the Shower Trolley.

While showering, ensure the drainage hose is directed over a drain, toilet, or sink to effectively remove water. If necessary, disconnect the drainage hose by unscrewing it from the drain.

- DO NOT** overfill the liner with water.
- DO NOT** exceed Safe Working Load.

DRAIN AND HOSE

- 1 Unscrew the top and bottom halves of the drain assembly.
- 2 Insert the top half of the drain through the liner and shower trolley deck.
- 3 Screw the bottom half of the drain on the underside of the deck. Make sure the provided seals are included in the reassembly.
- 4 Connect the extension hose to the drain assembly.



9. INSTRUCTIONS FOR USE

9.1 SIDE RAIL SUPPORTS

Used to support patients and has 3 positions.



1. Inner locked position 2. Outer locked position 3. Unlocked position



ALWAYS ensure the side rails are in the locked position.



DO NOT leave patients unattended.

Squeeze the orange release bar against side rail frame until an audible click is heard and allow the side rail to gently fall towards you until the desired position is reached.

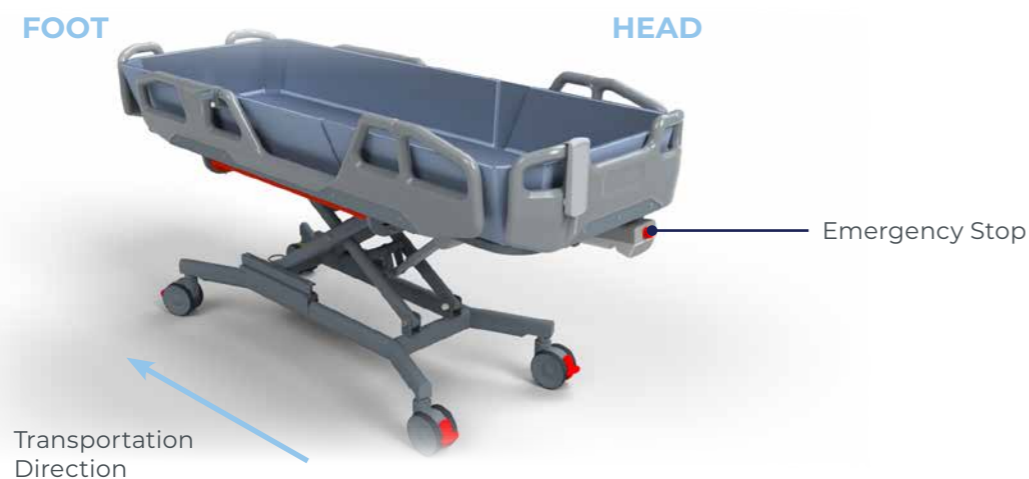
When locking the side rails, users must ensure that both ends of the rail click into place securely and are stable against movement.



9.2 SHOWER TROLLEY DIRECTIONS

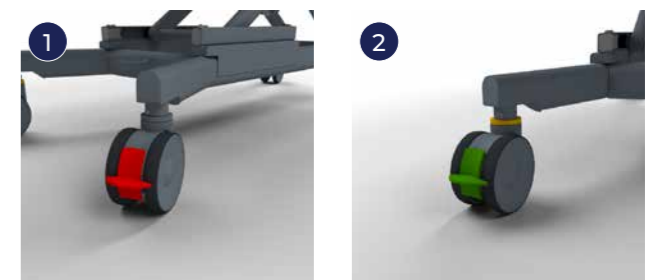
Position the patient in the Shower Trolley with their head at the head end and their feet at the foot end. A slight tilt towards the foot end of the Shower Trolley is intended. Patients should be positioned centrally on the platform.

Caregivers should be positioned at the head end of the Shower Trolley during transportation for easy access to the emergency stop button.

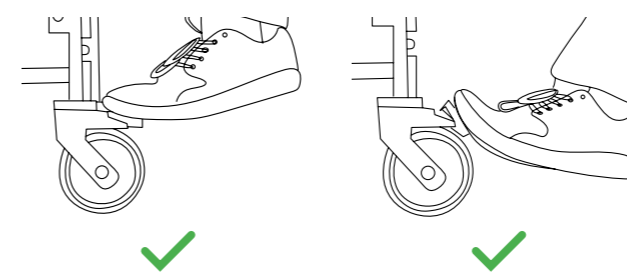


9.3 LOCKING & DIRECTIONAL CASTORS

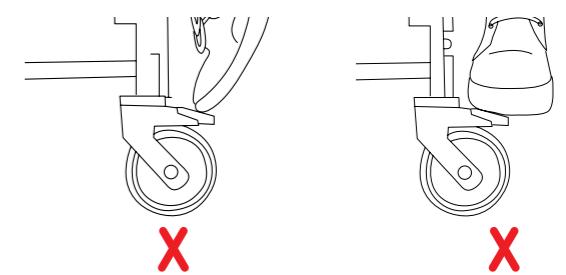
- 1 To lock the Shower Trolley there are 3 locking castors with red levers.
- 2 For ease of transportation, the directional castor is identified by the green brake pedal. It locks to move the Shower Trolley in a straight line, making steering easier.



SAFE USE



UNSAFE USE

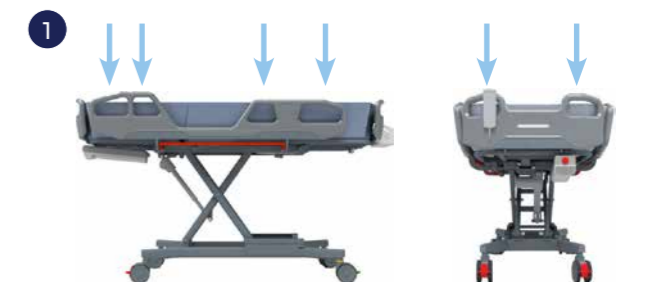


9.4 SHOWER HEAD HOLDER

The holder is designed to be a convenient spot for placing shower heads when not in use. It can be moved to various positions along the side rail where a window is available.

TO ATTACH THE SHOWER HEAD HOLDER

- 1 Choose location for shower head holder.



- 2 Press shower head holder onto siderail until it clicks in place.
- 3 Tighten the thumb screw until the holder is secure.
- 4 Reverse process to relocate.



9.5 ACCESSORY BASKET

The accessory basket can be hung anywhere along the upper rail of the side rail. Simply press the hooks into the side rails to ensure a secure fit.



9.6 DECK EXTENSION KIT

When a longer deck is needed for a taller patient, the Aspire Shower Trolley has been designed to allow a conversion into a long version.

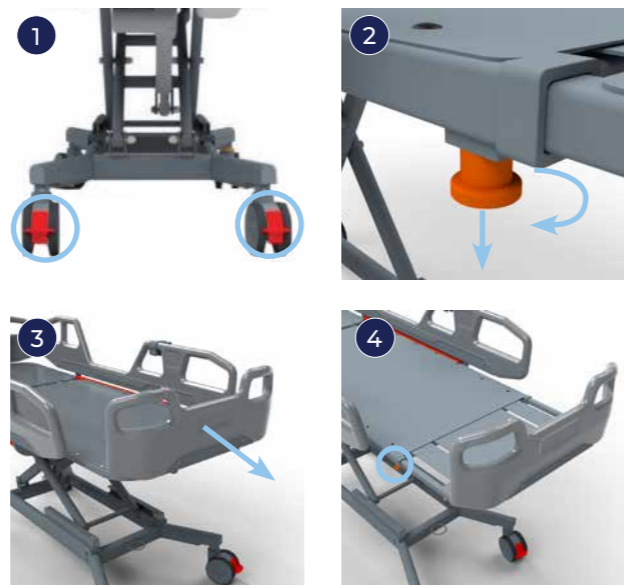


A long liner (BTS148120) is required when the deck is extended.

TO EXTEND THE DECK

Applicable to shower trolley serial numbers ST-01014295-0001 to ST-01014295-0020.

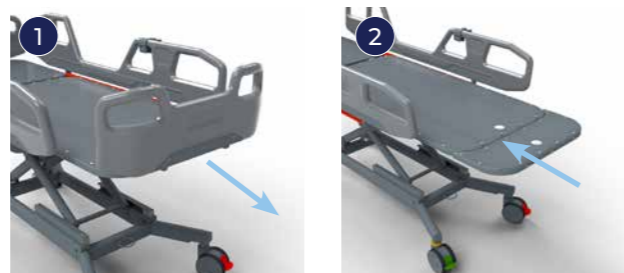
- 1 Lock all castors.
- 2 Pull and twist to lock the pins to the open position.
- 3 Grasp the foot rail and pull out the deck.
- 4 Release the pins.
- 5 Confirm that the pins are locked by gently pushing and pulling the extension deck.



TO INSTALL THE DECK EXTENSION KIT

For shower trolleys with serial numbers after ST-01014295-0020, a deck extension kit is required.

- 1 Remove the foot rail and bracket by removing the bolts connecting it to the deck.
- 2 Align the extension deck and secure it with the provided bolts.



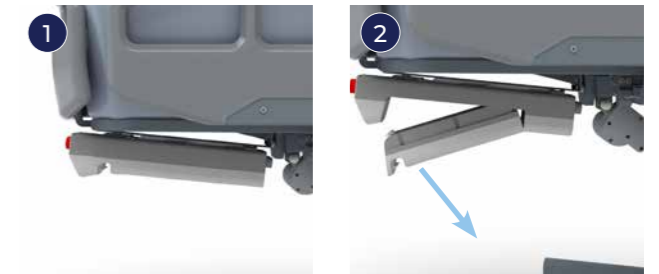
- 3 Fasten all bolts at these 3 locations.
- 4 Replace the foot rail at the end of the extension deck.



9.7 BATTERY

TO REMOVE THE BATTERY

- 1 When removing the battery, support the battery with both hands.
- 2 Pull the release lever to release the battery.

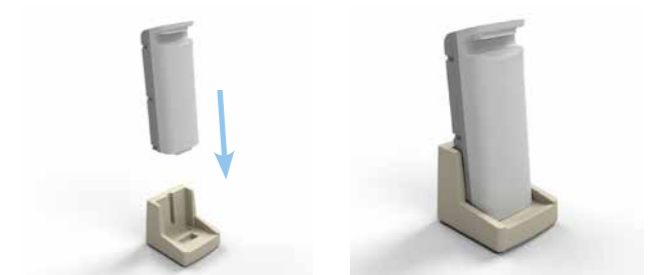


- 3 Angle battery downward and pull out.



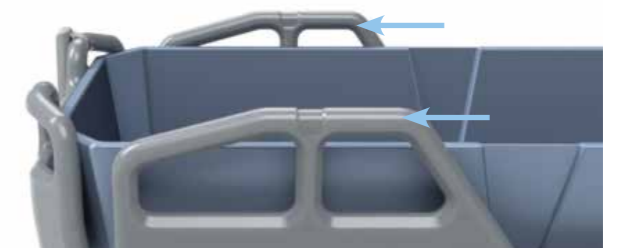
TO CHARGE THE BATTERY

To recharge your shower trolley battery use the charging cradle included with your shower trolley.



9.8 PATIENT GRAB POSITION

At the head end, the side rails are higher than the liner, providing a stable grab point for the patient when lying on their side.



10. TRANSFER INSTRUCTIONS

10.1 USING A PATIENT SLIDE BOARD

PREPARE THE CLIENT

- 1 Using approved manual handling techniques, assist the client in rolling to the side opposite where the shower trolley will be positioned.

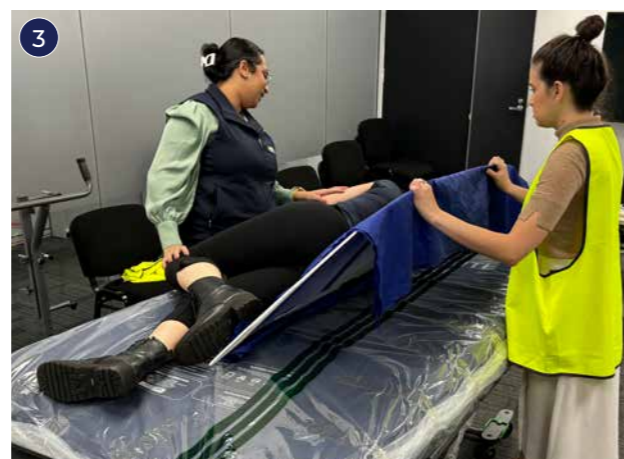


POSITION THE SLIDE BOARD

- 2 Place the slide board next to the client, with the slide sheet arranged on top of the board. Tuck the ends of the slide sheet under the edge of the board closest to the client.



- 3 Tilt and position the slide board against the client's back.

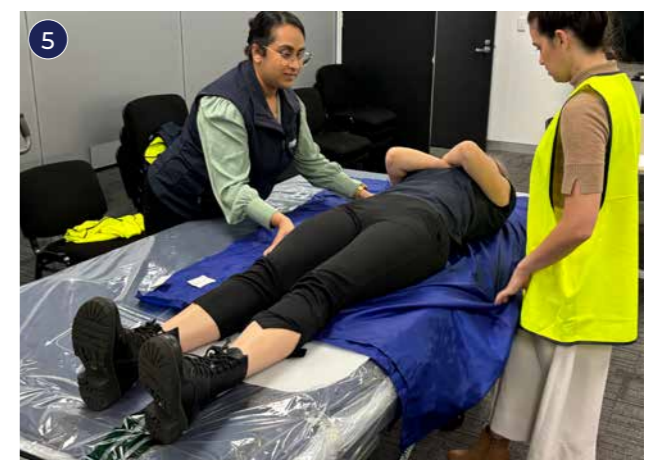


ROLL THE CLIENT ONTO THE SLIDE

- 4 Roll the client onto the slide board while the carer lowers the tilted board to a flat position.



- 5 Adjust client's position using the slide sheets and ensure secure placement on the board before proceeding.



BRING IN THE SHOWER TROLLEY

- 6 Lower siderail to the lowest position.
- 7 Position the shower trolley against the side of the bed, ensuring its height is slightly lower than the bed.
- 8 Secure the brakes on the trolley.



TRANSFER TO THE SHOWER TROLLEY

- 9 Spread slide sheet across the bed and the shower trolley and position client's feet into trolley without leaning or reaching.



- 10 Using the push/pull method, slide the client across the slide board into the trolley using the slide sheets.



- 11 Raise siderail and secure patient.

- 12 Remove the slide board once the client is in the trolley.



WARNING

Secure the client in the trolley before releasing the brakes.



WARNING

Ensure the client is safe and comfortable in the shower trolley.

10.2 USING WITH LIFTERS

APPLY THE SLING

- 1 Using approved manual handling techniques. Position the sling under the patient, ensuring it is centred and properly aligned with the lifter bar. Check that the sling is securely fastened and will provide adequate support during the transfer.

*For full sling transfer instructions, please refer to the lifter or sling user manual.



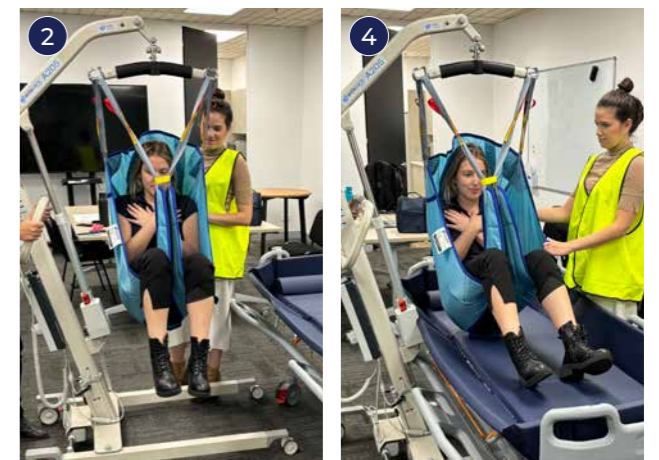
LIFT AND TRANSFER TO THE SHOWER TROLLEY

- 2 Activate the lifter as per the manufacturer's instructions, gradually raising the patient to a safe height.

- 3 Manoeuvre the lifter so that the patient is directly over the shower trolley.

- 4 Lower the patient onto the trolley with a smooth and controlled descent.

Double-check that the patient is positioned correctly on the trolley and that all sling straps are clear.



COMPLETE THE TRANSFER

- 5 Once the patient is safely positioned on the shower trolley and all necessary adjustments have been made, carefully remove the sling from underneath the patient.

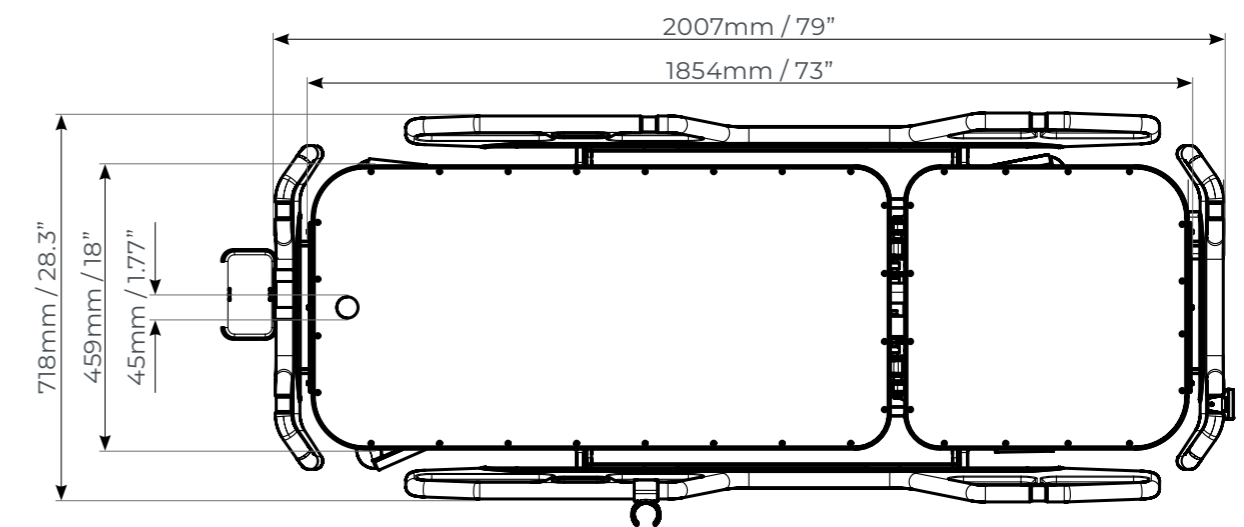


11. TECHNICAL SPECIFICATIONS

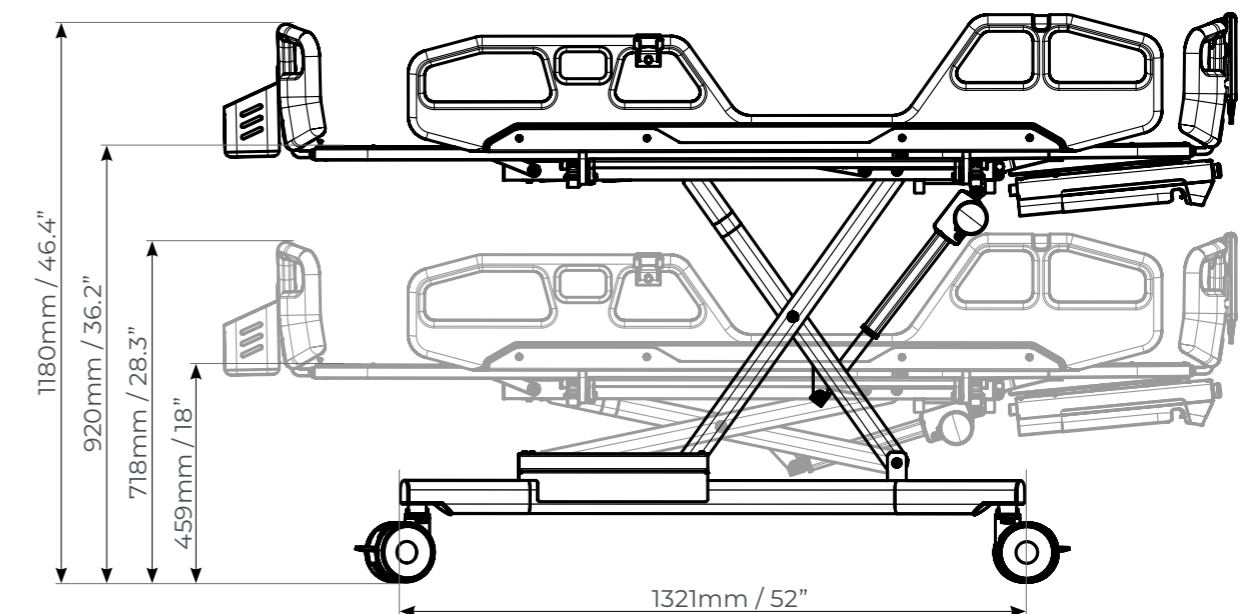
| | |
|--|--|
| Safe Working Load (SWL) Maximum Total Load (Patient + Water) | 200kg / 31.5st |
| Maximum Patient Weight | 180kg / 28.3st |
| Weight of Aspire Shower Trolley | 95kg / 209.4lbs |
| Degree of Protection | IP66 (electronics) |
| Operating Forces | Lock - 40N / Unlock 70N |
| Break | 20N |
| Straight Steering | 20N |
| Emergency Stop Button | 20N |
| Side Rails Release Bar | 60N |
| Maximum Duty Cycle | 10% Operating Time |
| Maximum Duty Cycle Ratio Operating time: Rest time | Lift / Backrest and Tile Actuator 10% ON, 90% OFF |
| Battery Type | Lead-Acid |
| Battery Voltage | 24V, 2.9Ah |
| Operational temperature | +5°C to +45°C |

12. DIMENSIONS

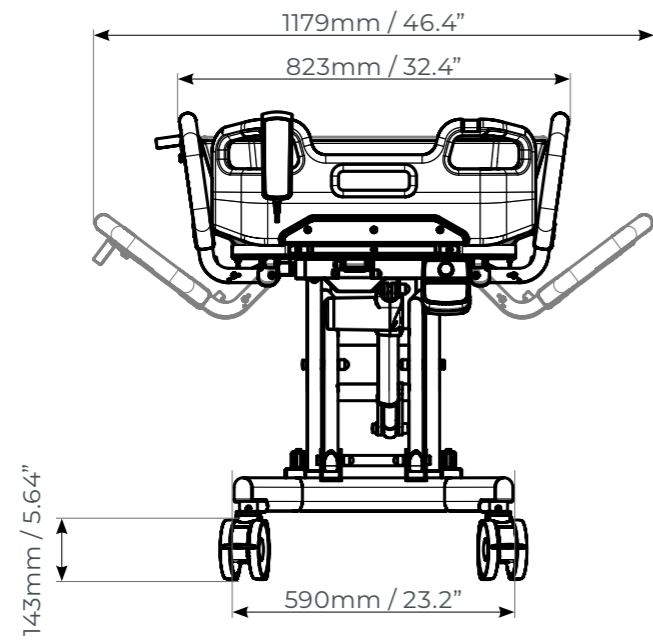
SHOWER TROLLEY LENGTH AND DRAIN



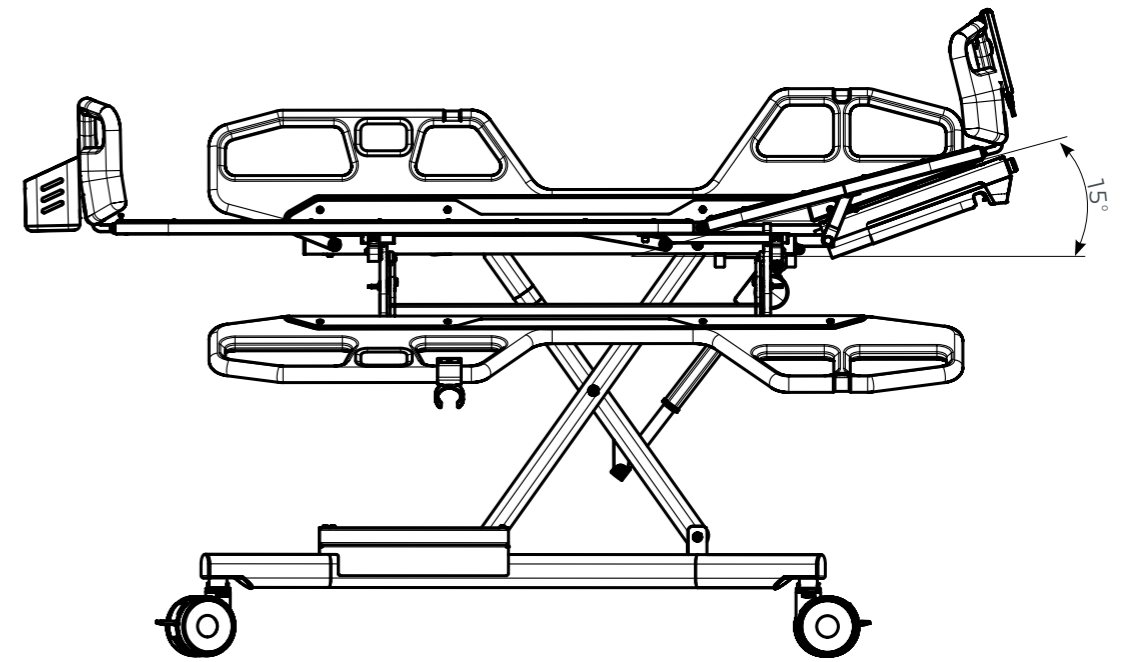
MAXIMUM AND MINIMUM HEIGHT



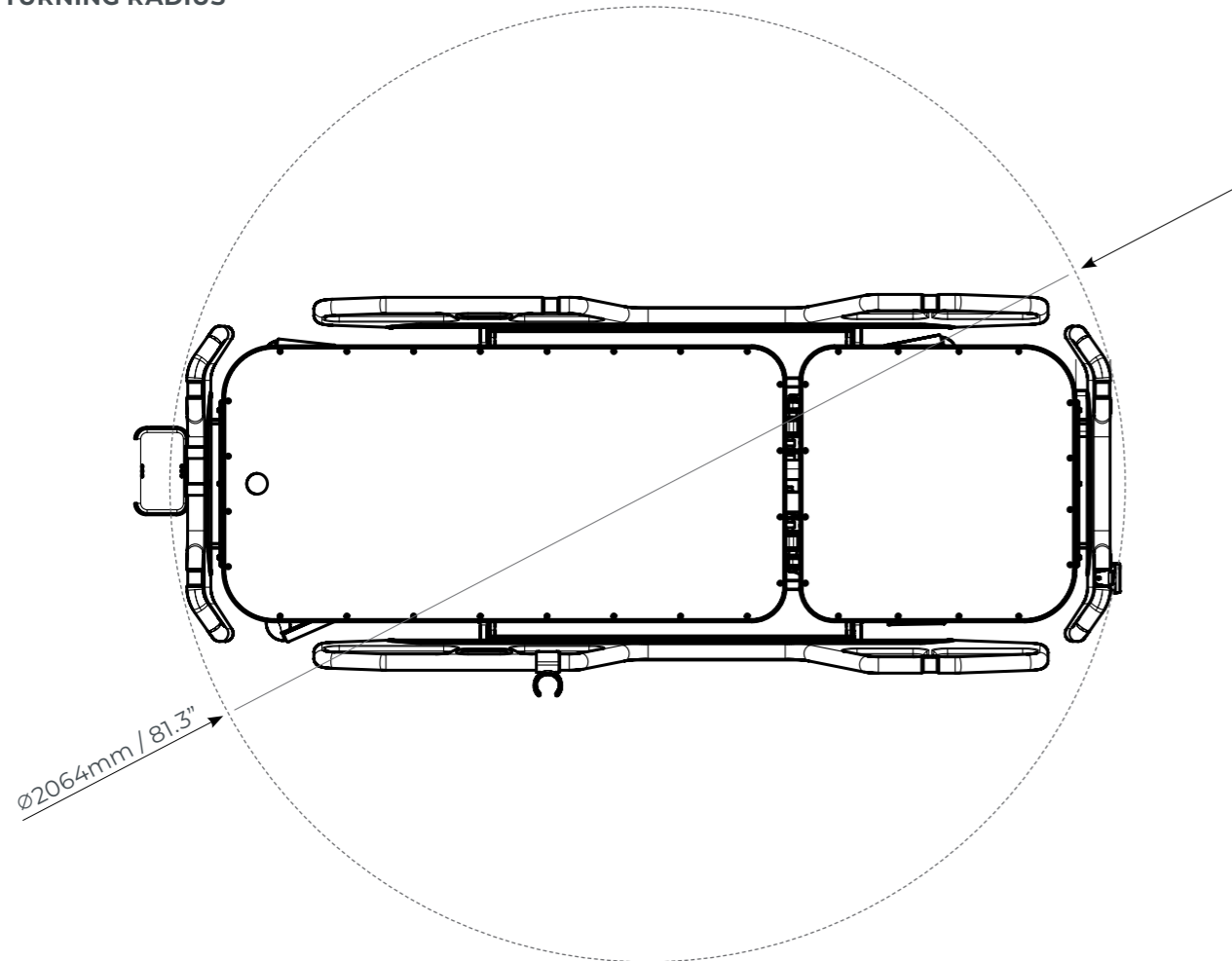
SIDERAIL AND CASTORS



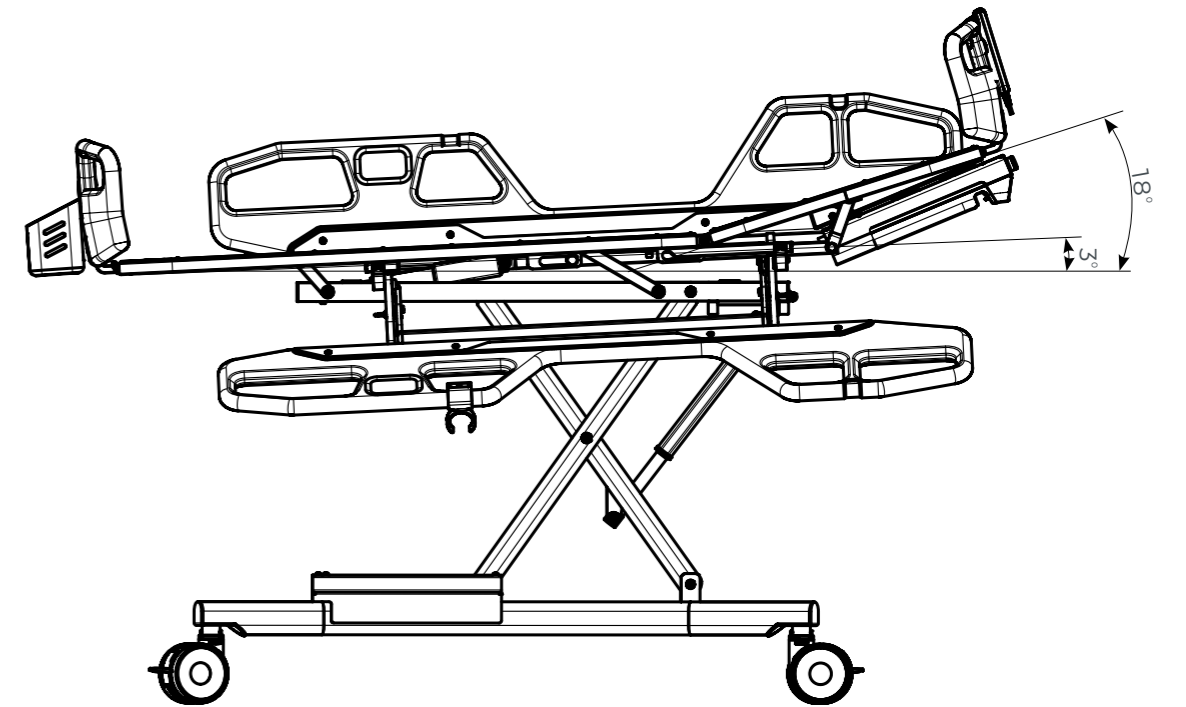
BACKREST - MAXIMUM ANGLE



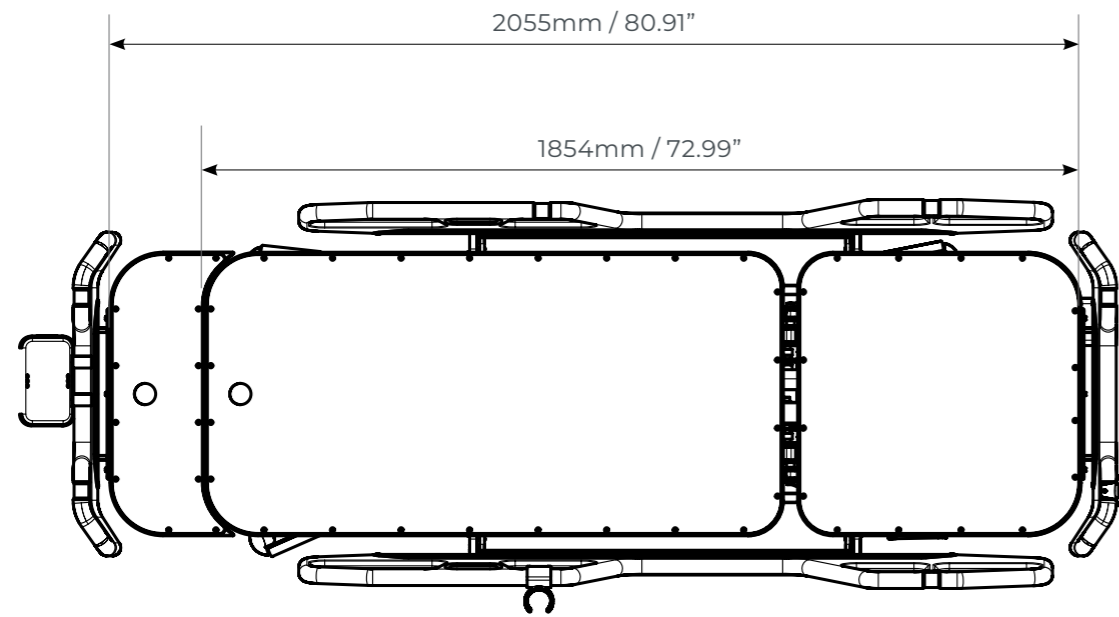
TURNING RADIUS



TILT - MAXIMUM ANGLE



EXTENSION DECK



12. CLEANING

12.1 SHOWER TROLLEY LINER

- For ease of cleaning the liner can be removed from the shower trolley. It is recommended that the liner be washed with warm soapy water and thoroughly dried with a clean soft cloth. Allow surfaces to dry completely.
- DO NOT use harsh chemicals/cleaning agents or abrasive cleaners on the liner as this can cause the coating on the fabric to break down.
- DO NOT use abrasive cleaning materials to clean the liners. This can damage the material.

12.2 SHOWER TROLLEY FRAME

- The shower trolley frame must be cleaned after each use.
- Clean the frame from top to bottom using regular household cleaning agents. Avoid overly aggressive or abrasive cleaning products. Allow surfaces to dry completely.
- Check wheels for hair, dust, soap scum and remove when necessary. Check moving parts and clear dust and hair to ensure smooth functioning.

13. TROUBLESHOOTING



Troubleshooting should only be carried out by Aidacare authorised service technicians.

The following is a general troubleshooting guideline.

Before carrying out any troubleshooting:

- CHECK TO ENSURE the RED emergency stop button is NOT pushed in.
- CHECK TO ENSURE maintenance procedures have been followed.
- CHECK TO ENSURE all lead connections are secure.
- CHECK TO ENSURE the battery is fully charged.

| PROBLEM | POTENTIAL FAULT | ACTION |
|--|--|---|
| Warning alarm can be heard in control unit | Battery is discharged Battery may be faulty | Recharge battery Replace battery |
| Power LED on charger does not illuminate | Not connected to power Fuse blown Faulty Charger | Check plugged in to power point and switched on Replace fuse Repair or replace charger |
| Actuator not running/ no click heard from control unit when buttons pressed | Faulty control unit Faulty handset | Repair or replace control unit |
| Actuator not running but control unit clocks when buttons pressed | Actuator plug not inserted fully into control unit Faulty actuator Faulty control unit | Check plugs are completely inserted into control unit ports Repair or replace actuator and or control unit |
| Actuator not lifting properly or running slowly | Discharged or faulty battery Weight in excess of safe working load (SWL) Faulty actuator | Recharge or replace battery Repair or replace actuator |
| No clicking in control box when buttons pressed | Emergency stop button pressed Battery completely discharged Battery fuse faulty Faulty control unit | Release emergency stop button Recharge battery Repair or replace control unit |
| Actuator only works in one direction | Faulty handset Faulty control unit | Repair or replace handset Repair or replace control unit |

14. SERVICE & MAINTENANCE

If your Shower Trolley is new or hasn't been used for an extended period, it must be cleaned before use.

Clean and disinfect your Aspire Shower Trolley immediately after each use.

WEEKLY CHECK

- Visually check the Shower Trolley for the following:
 - Corrosion
 - Cable damage on electronics (cuts, tears or crimping)
 - Sharp edges that may have developed during use
 - Cracks in welds
- Rollers are in good condition and are rolling smoothly in track
- Replace any damaged components before use
- Ensure the side rails lock properly and remain locked when weight is applied
- Check for any abnormal noises coming from the actuators or electronics
- Perform functionality test
 - Hi-lo function
 - Backrest/tilt function
- Inspect and clean castors
 - Ensure castors are free from hair or debris
 - Check brakes and directional function
 - Ensure castors swivel freely
- Check liner and pillow for:
 - Cracks or tears
 - Replace the liner if signs of cracking or tearing are found
- Aspire Shower Trollies must be serviced annually by qualified personnel

NOTE: If you are unsure if your Shower Trolley is working correctly, contact Aidacare or your local authorised Aspire dealer.

15. WARRANTY & SERVICE

15.1 CONSUMER WARRANTY AGAINST DEFECTS



Aidacare is bound by Australian Consumer Law in respect to Warranty Against Defects. A copy of the Aidacare Warranty Against Defects statement is available on the Aidacare homepage at aidacare.com.au. All warranty matters should be directed to Aidacare Customer Service on 1300 133 120.

Aidacare does not warrant against excessive or incorrect use, modification or any situation that could not be deemed as fair wear and tear. This is a back to base warranty and does not cover freight costs pertaining to the return of any items under warranty. Aidacare adheres to all ACCC guidelines regarding consumer rights. For further information contact Aidacare on 1300 133 120 or email product@aidacare.com.au

Aidacare will not warrant the safety and or correct functioning of products where any original components have been changed or modified by non-Aidacare approved and trained service & maintenance staff or external providers. Furthermore, safety is not guaranteed where components have been replaced with non-original Aidacare approved parts. If any faults are detected upon receipt of this product please phone Aidacare. Report any faults detected during normal use to Aidacare immediately to determine if warranty conditions apply and, if so, to arrange necessary repairs or replacements.

Spare parts list is available upon request.

For servicing, preventative maintenance and any other questions regarding this or any other Aidacare product please contact:

Aidacare Pty Ltd
Building 3A, 1 Moorebank Avenue
Moorebank NSW, Australia 2170

1300 133 120 | aidacare.com.au | product@aidacare.com.au

15.2 BATTERIES

Batteries have a limited warranty from the original manufacturer, subject to a stringent wear and tear clause. Battery faults due to defect in original manufacture typically become apparent within the first two months of use.

Any gradual deterioration in performance after this period is typically associated with fair wear and tear, misuse and accidental damage, and as such is not covered by the TiMotion manufacturer's warranty.

NOTE: All warranties made are back to base warranties meaning that any parts or whole lifters requiring repair need to be returned to the nearest aidacare service centre at the customer's expense – Please contact Aidacare for a current list of service centre locations.

AIDACARE PTY LTD

Building 3A, 1 Moorebank Avenue,
Moorebank NSW 2170
Australia

1300 133 120 | aidacare.com.au

AIDACARE LIMITED

Arcadia House, Maritime Walk,
Ocean Village, Southampton SO14 3TL
United Kingdom

01622 541235 | aidacare.co.uk

MADE IN PRC

ASUM111.12 110924

