



Go Turner

USER MANUAL



Congratulations and thank you for choosing an
Aspire Go Turner.

This product has been designed to offer the maximum in comfort,
safety and lightweight portability. Aspire Go Turners are suitable for
indoor use only.

**It is important that you read this user manual carefully before using
your new patient mover.**



This product features the CE mark, in compliance with the Medical Devices Regulation 2002 (as amended) Class 1, and the Medical Device Regulation 2017/745.



This product Features the UKCA mark, in compliance with Part II UK MDR 2002 (as amended) Class 1

© Aidacare Pty Ltd 2024

No part of this user manual may be copied, distributed, reproduced, scanned or stored on any electronic database, whether in whole or in part in any form or by any means.

Due care has been taken to ensure all the information contained in this user manual is correct at the time of printing. All measurements, pictures, colours and weight capacities are to be used as a guide only. We reserve the right to modify the design or appearance of any product displayed in this user manual without prior notice.

TABLE OF CONTENTS

| | |
|--|----|
| 1. Symbols Used In This Manual | 4 |
| 2. Symbols Used On This Product | 4 |
| 3. Overview | 5 |
| 4. Safety Precautions | 6 |
| 5. Parts Glossary | 7 |
| 6. Assembly & Disassembly | 8 |
| 7. Preliminary Checks | 10 |
| 8. General Operation | 10 |
| 9. SLING Compatibility | 14 |
| 10. Care & Maintenance | 15 |
| 11. Warranty & Service | 16 |
| 12. Troubleshooting | 17 |
| 13. Specifications | 18 |
| 14. Recycling Instruction | 19 |
| 15. Manufacturer, UK Representative & Importer Details | 20 |
| 16. Service Log Book | 21 |

1. SYMBOLS USED IN THIS MANUAL

The symbols below are used throughout this user manual and on the product to identify warnings and important information. It is very important for you to read them and understand them completely.

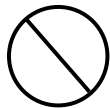


WARNING

WARNING! Indicates a potentially hazardous condition/situation. Failure to follow designated procedures can cause either personal injury, component damage or malfunction. On the product, this icon is represented as a black symbol on a white triangle with a black border.



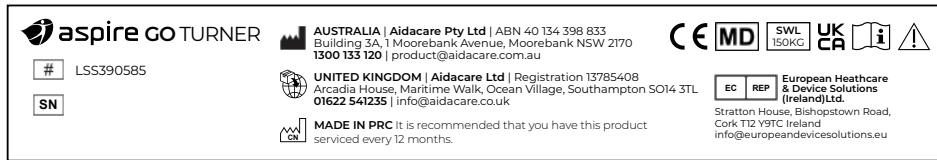
ALWAYS! These actions should be performed as specified. Failure to perform mandatory actions can cause personal injury and/or equipment damage. On the product, this icon is represented as a white infinity symbol on a black dot with a white border.



DO NOT! These actions are prohibited. These actions should not be performed at any time or in any circumstances. Performing a prohibited action can cause personal injury and/or equipment damage. On the product, this icon is represented as a white symbol with a black circle and black slash.

2. SYMBOLS USED ON THIS PRODUCT

The manufacturer's sticker shown is a sample sticker only.



| | | | |
|--|---------------------------------|--|-------------------|
| | Product Code | | CE Mark |
| | Serial Number | | Medical Device |
| | Manufacturer | | Safe Working Load |
| | Importer | | UKCA Mark |
| | Country of Manufacture | | Read User Manual |
| | Authorised Representative in EU | | Caution |

3. OVERVIEW

The Aspire Go Turner provides a simple solution for a user transferring from a bed or chair. Users must have good upright stability and should be assessed by a healthcare professional prior to use.

Offering a compact and versatile design, the Go Turner is suitable for Homecare, Acute Care and Aged Care environments.



4. SAFETY PRECAUTIONS

INTENDED USE OF THE PRODUCT

The Go Turner has been designed to transfer users with the assistance of one carer or attendant.

This Go Turner is designed for users who can weight bear through their legs. Users should be able to stand up independently from sitting; with minimal assistance from an attendant or carer, or by using the Go Turner grab bars to assist in pulling themselves up into standing.

The Go Turner should only be used with an Aspire approved standing sling, which has been chosen and assessed by a competent trained health professional.

SAFETY CONSIDERATIONS

A clinical assessment should be carried out on the user by a qualified health professional to determine if the Go Turner is suitable for the transfer.

ALWAYS ensure that attendants have read this guide before operating the Go Turner.

ALWAYS use standing sling when transporting the user any distance.

ALWAYS ensure the area around the Go Turner and user is clear of obstructions.

ALWAYS minimise the distance over which the user is being transferred by positioning support surfaces as close as possible.

ALWAYS ensure brake pedal in a locked position when performing transfers in and out of the Go Turner.

IMPORTANT – only approved standing sling and accessories are compatible with this product. If you are unsure please contact **Aidacare** for a complete list of compatible Go Turner standing slings.

The correct and appropriate use of the Go Turner reduces the risks associated with manual handling. The lifting and transferring of users should always be assessed and planned by a trained health professional.

WARNING – The Aspire Go Turner is intended for indoor use only.

DO NOT operate the Go Turner without correct manual handling training. **IF IN DOUBT, DO NOT USE.**

DO NOT use the Go Turner where any doubt exists regarding the safety of the Go Turner, including but not limited to wear or damage.

DO NOT use the Go Turner with standing slings showing any signs of wear or damage, including fraying.

DO NOT exceed the 150kg safe working load of the Go Turner.

DO NOT leave user unattended at any time.

Inspect all safety labels on the Go Turner and replace all labels that are damaged or not readable.

5. PARTS GLOSSARY



| | | | |
|---|-----------------------|---|------------------|
| 1 | Handlebar | 5 | Connection Clamp |
| 2 | Sling retaining hooks | 6 | Base Frame |
| 3 | Knee Support | 7 | Brake Pedal |
| 4 | Castors | | |

6. ASSEMBLY & DISASSEMBLY

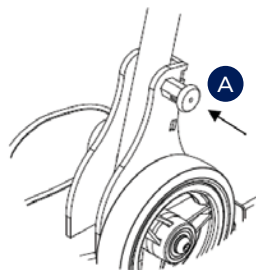
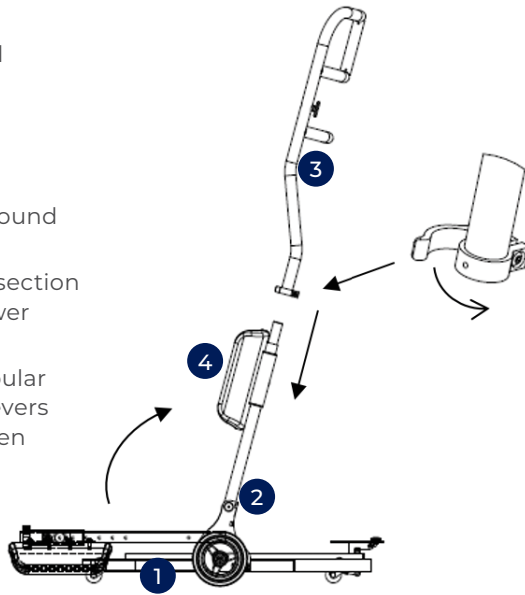
CARTON CONTAINS:

- 1 x Base platform with wheels and brake
- 1 x Lower tubular frame
- 1 x Upper tubular frame with handlebar
- 2 x Knee supports
- 1 x User manual

ASSEMBLY

1. Put platform on flat surface and engage the brake
2. Unfold the lower tubular frame (2) until the pin (A) locks in the vertical position.
3. **Note:** You should hear a 'click' sound when the pin lock engages.
4. Insert the upper tubular frame section (3) into the upper end of the lower tubular frame (2).
5. Secure the upper and lower tubular sections with the two locking levers on either side, the product is then ready to use.

Note: To disassemble, repeat the above steps in reverse order.



WARNING



Always ensure locking pins are safely locked when product is unfolded

- Make sure the two locking levers are securely locked so that main support frame can't move when forced
- Always engage brakes during assembly or disassembly of product
- Always test all device parts and connections are correctly and safely locked in place BEFORE using
- Failure to follow these warnings can result in personal injury.



Check the Deep retaining ring is already positioned in the Mounting plate.



Fasten the three Bolts evenly and check the pad is free to rotate through range. Tighten each bolt firmly.



Press the Cover cap in place.



The fitting process is the same for both Knee Pads.



Complete a final check after all bolts are tightened to ensure the Knee Pads are rotating smoothly.

7. PRELIMINARY CHECKS

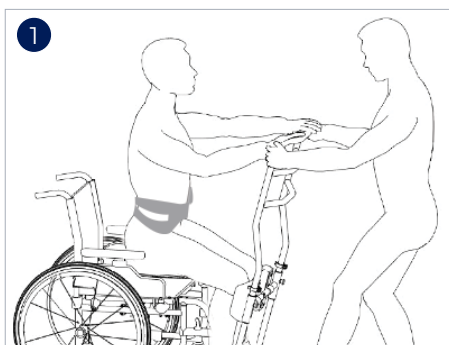
Complete the following checks prior to use.

1. Check the standing sling is free from wear and damage.
2. Check that the brakes are able to engage and disengage.

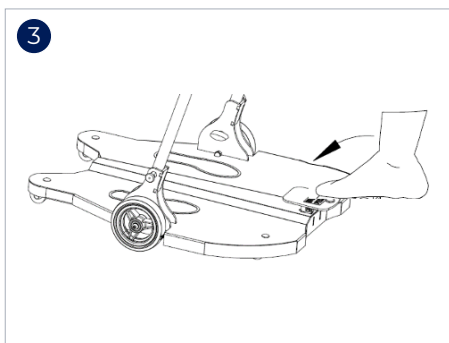
8. GENERAL OPERATION

TRANSFERRING TO THE GO TURNER

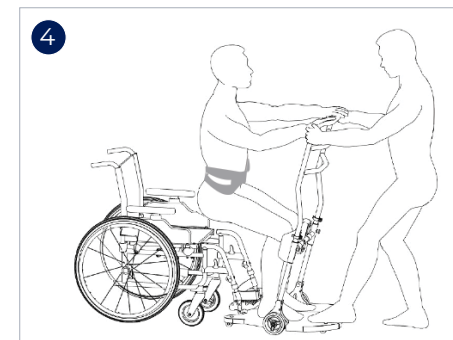
1. Secure the sling around the user's waist/lower backside whilst they are sitting by first securing the Velcro and then the buckle.



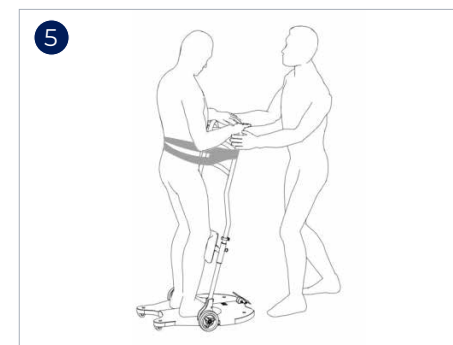
2. Position the Go Turner close to the user requiring transport.
3. Apply the brakes by pressing down on the brake pedal with your foot until it locks.



4. Ask the user to position their feet on the footplate, then grasp the Grab bar and stand up with lower legs against the Knee Pad for support. The caregiver can provide minimal assistance by using the handles on the sling to guide the person into standing.



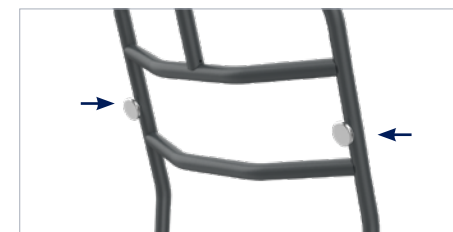
5. Once the user is standing upright with their center of balance close to the handle, attach the standing sling to the sling retaining hooks on the handle. Bring the outer straps of the sling around the handle (above belt retaining pegs) and secure by clicking the safety buckle into place.



Once sling is secured, disengage the brake to complete the transfer

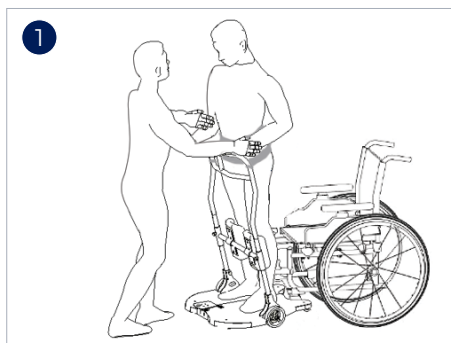


Always ensure standing sling is secured above belt retaining pegs.

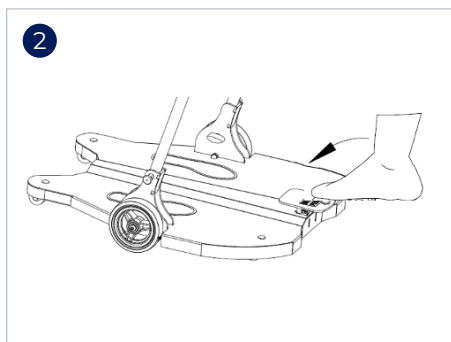


TRANSFERRING FROM THE GO TURNER

1. Position the Go Turner close to the seat or bed.



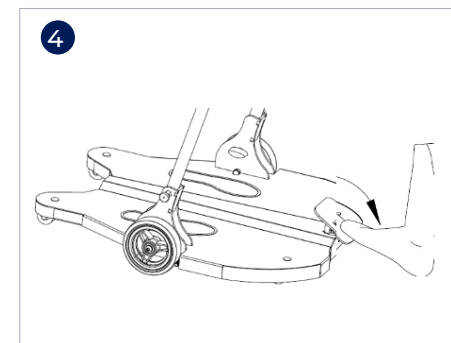
2. Apply brakes by pressing down on the brake pedal. Have the user support themselves on the Go Turner and detach the standing sling from the Go Turner.



3. The user can now slowly lower themselves onto the seat using the Grab bar for support. The carer should hold the Go Turner by the handlebars throughout this operation.



4. Ensuring that the user has removed their feet from the footplate, the carer can now release the brake pedal and wheel the Go Turner away.



Always ensure user is centred on the platform.

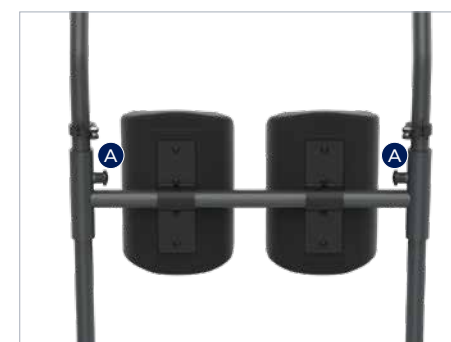
Always ensure that the user's centre of mass does not extend beyond the platform.

When transferring to or from platform make sure the user keeps their upper body close to the handlebar and bends their knees to perform the transfer.



KNEE PAD ADJUSTMENT

1. The Knee Pad can be height adjusted by pulling both pins [A] and moving kneepad bar until the pins click into place at your desired height.



9. SLING COMPATIBILITY

Aspire GoTurner standing slings are designed specifically for safe use with the GoTurner. A suitable size standing sling must be used when transferring the user on an Aspire GoTurner. Aidacare does not recommend using other brand standing slings with this transfer aid.



| CODE | DESCRIPTION | SWL |
|-----------|---|-------|
| LSS391132 | R040101SA Support Belt - Aspire Go Turner - SML | 150kg |
| LSS391133 | R040101MA Support Belt - Aspire Go Turner - MED | 150kg |
| LSS391134 | R040101LA Support Belt - Aspire Go Turner - LRG | 150kg |
| LSS391135 | R040101XLA Support Belt - Aspire Go Turner - XL | 150kg |

10. CARE & MAINTENANCE

For trouble-free operation and prolonged working life of the Go Turner, we recommended periodic inspection by a person suitably qualified and acquainted with the design, use and care of Go Turners.

If inspection reveals that the safety of the Go Turner has been jeopardised in any way, the unit should be **IMMEDIATELY WITHDRAWN FROM SERVICE**, tagged as such, and reported to the owner.

MAINTENANCE GUIDE & CHECK LIST

- Check Castors are fastened securely to the frame
- Castors should run and swivel smoothly – periodically remove any hair or other fibres that have built up within the Castor.
- Check that the brakes function normally.
- Clean surfaces with a pH-neutral detergent – chlorine and phenol based detergents should not be used as these may damage Go Turners components and surfaces.
- All moving parts and pivot points should be routinely checked for fatigue and lubricated if necessary.
- Sling retainer hooks should be checked for general wear and tear and replaced if necessary.

11. WARRANTY & SERVICE

AIDACARE warrants its products to be free from material – and workmanship-related defects under normal use and service. From the date of purchase, within the period stated below, we shall repair or replace without cost to the original customer, any part assembly or portion thereof which shall be returned to **Aidacare** and deemed to be defective by our own inspection.

2 YEAR WARRANTY
GoTurner

1 YEAR WARRANTY
Standing Slings

Above warranty only applies to manufacturer defect only, and does not cover wear and tear through use.

WARRANTY IS CONTINGENT UPON ANNUAL SERVICING BEING COMPLETED FOR THE LENGTH OF THE WARRANTY PERIOD.

Aidacare cannot be held responsible for any personal injury, damage to the Go Turner or damage to property resulting from improper or unsafe use of the product. No warranty claim shall apply where the product or any part thereof has been modified, varied, altered or damaged either accidentally or through improper or negligent use.

No warranty claim shall apply where the Go Tuner has been repaired or serviced by parties other than those accredited and/or approved by **Aidacare**.

ALL WARRANTIES MADE ARE BACK TO BASE WARRANTIES MEANING THAT ANY PARTS REQUIRING REPAIR NEED TO BE RETURNED TO THE NEAREST AIDACARE SERVICE CENTRE AT THE CUSTOMER'S EXPENSE – PLEASE CONTACT AIDACARE FOR A CURRENT LIST OF SERVICE CENTRE LOCATIONS.

SPARE PARTS

Spare parts list available upon request from **Aidacare**.

12. TROUBLESHOOTING

WARNING: TROUBLESHOOTING SHOULD ONLY BE CARRIED OUT BY AIDACARE AUTHORISED SERVICE TECHNICIANS.

The following is a guideline only to general troubleshooting.

| PROBLEM | POTENTIAL FAULT | ACTION |
|--|--|--|
| Castors are not moving smoothly over carpet or other surfaces. | Build up of material in castor housing. | Clean castors thoroughly. |
| Castors not sitting flat on the floor. | Castor may be lodged incorrectly in mount point. | Remove unit from service and contact Aidacare immediately for inspection and possible castor replacement. |

13. SPECIFICATIONS



Go Turner LSS390580

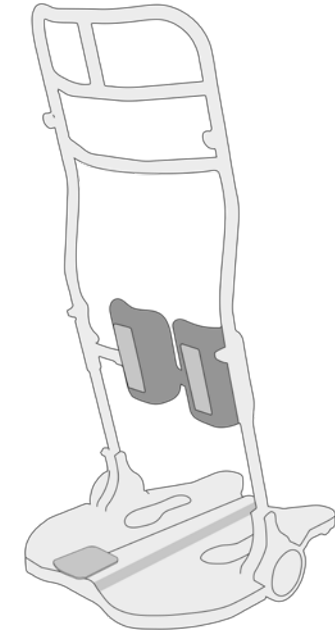
| Overall Length | Overall Height | Overall Width | Knee Pad Height from Footplate | Handle Height from Footplate | Footplate Height from Floor | Overall unit weight |
|----------------|----------------|---------------|--------------------------------|------------------------------|-----------------------------|---------------------|
| | | | | | | |
| 685mm | 1205mm | 570mm | 230-400mm | 875mm 1010mm 1145mm | 60mm | 18.9kg |
| 26.9" | 47.4" | 22.4" | 9 - 15.7" | 34.4" 39.7" 45" | 2.4" | 41.6 lbs |

*Range of motion dimensions are accurate to a +/-10mm tolerance

14. RECYCLING INSTRUCTION

This product should not be mixed with General household waste. Please follow the diagram below to identify different materials on the product

- Polyurethane
- Metals



15. MANUFACTURER, UK REPRESENTATIVE & IMPORTER DETAILS

If you have any questions, you can contact:



Manufacturer:

Aidacare Pty Ltd

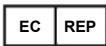
ABN 40 134 398 833

Building 3A, 1 Moorebank Avenue,

Moorebank NSW 2170

Australia

1300 133 120 | product@aidacare.com.au



EU Representative:

European Healthcare & Device Solutions (Ireland) Ltd

Stratton House, Bishopstown Road,

Cork T12 Y9TC Ireland

info@europeandevicesolutions.eu



Importer:

Aidacare Ltd

Registration 13785408

Arcadia House, Maritime Walk, Ocean Village,

Southampton SO14 3TL

United Kingdom

01622 541235 | info@aidacare.co.uk

16. SERVICE LOG BOOK

Year 1

Date: _____

Service Type: _____

Condition Report: _____

Inspected by: _____ Signature: _____

Action taken: _____ Date: _____

Year 2

Date: _____

Service Type: _____

Condition Report: _____

Inspected by: _____ Signature: _____

Action taken: _____ Date: _____

Year 3

Date: _____

Service Type: _____

Condition Report: _____

Inspected by: _____ Signature: _____

Action taken: _____ Date: _____

Year 4

Date: _____

Service Type: _____

Condition Report: _____

Inspected by: _____ Signature: _____

Action taken: _____ Date: _____

Year 5

Date: _____

Service Type: _____

Condition Report: _____

Inspected by: _____ Signature: _____

Action taken: _____ Date: _____

AIDACARE PTY LTD

Building 3A, 1 Moorebank Avenue,
Moorebank NSW 2170
Australia

1300 133 120 | aidacare.com.au

AIDACARE LIMITED

Arcadia House, Maritime Walk,
Ocean Village, Southampton SO14 3TL
United Kingdom

01622 541235 | aidacare.co.uk

MADE IN PRC

ASUM100.25 110924

