



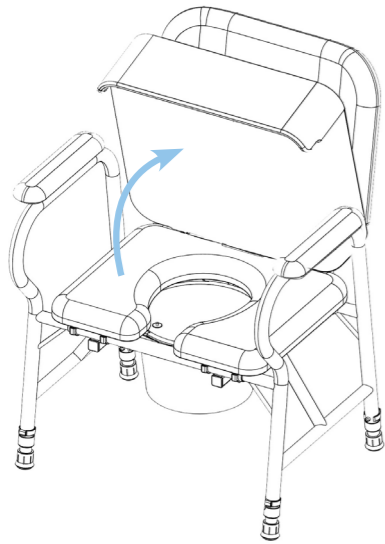
MAXI BEDSIDE COMMODE

QUICK USE GUIDE

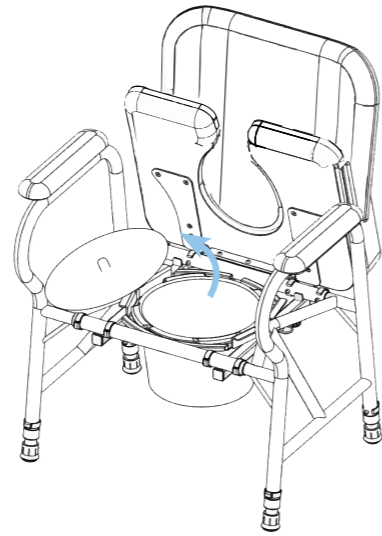


GENERAL INSTRUCTIONS:

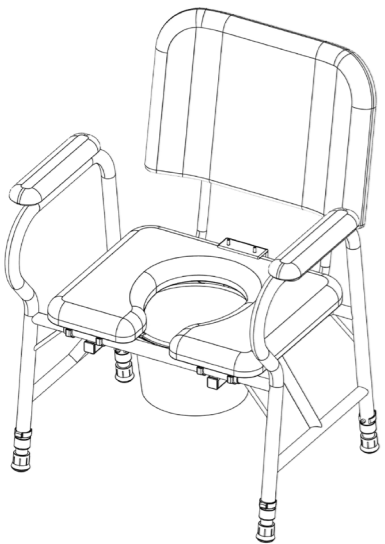
- 1 Remove the seat cushion from the chair by lifting upwards.



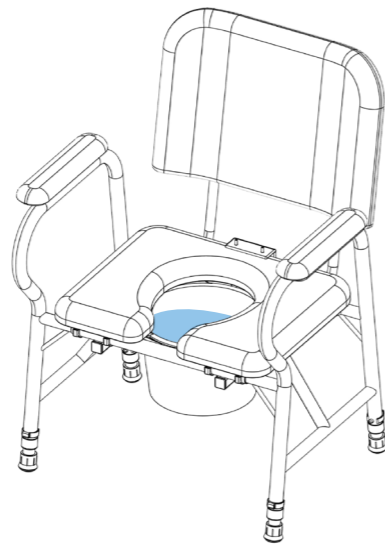
- 2 Lift the seat and remove the lid from the bowl.



- 3 Ensure that the bowl is positioned securely under the seat when closing.



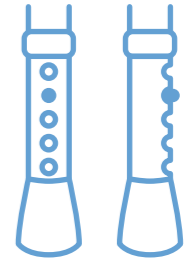
- 4 Before use, add a small amount of water to the bowl to facilitate easier cleaning later.



- 5 After use, empty and clean the bowl.

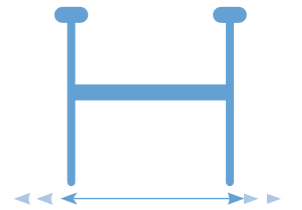
LEG ADJUSTMENT:

- To adjust the height of the commode, push the button in and slide the leg up or down to the appropriate hole.
- For safety, make sure the button is fully protruding from its designated hole after adjustment.



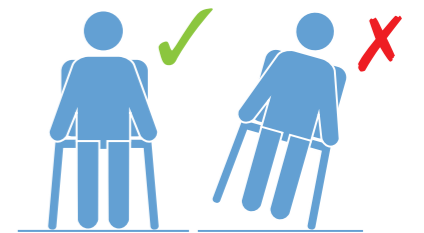
WIDTH ADJUSTMENT:

- The commode has a fully adjustable width to accommodate different seat sizes and improve comfort.
- Adjust the width based on the seat size to remove obstructions and enhance user comfort.



SAFETY PRECAUTIONS:

- Ensure all four legs of the commode remain in contact with the ground during use.
- Check the stability of the commode on uneven surfaces and adjust individual legs as needed for stability.



MAINTENANCE:

- Regularly clean and sanitize the commode to maintain hygiene.
- Inspect the commode for any signs of wear or damage and replace any worn-out parts promptly.

AIDACARE PTY LTD

Building 3A, 1 Moorebank Avenue,
Moorebank NSW 2170
Australia

1300 133 120 | aidacare.com.au

AIDACARE LIMITED

Arcadia House, Maritime Walk,
Ocean Village, Southampton SO14 3TL
United Kingdom

01622 541235 | aidacare.co.uk

MADE IN PRC

ASUM109.4-270324

