



ULTIMATE 8

Single | King Single

USER MANUAL



Thank you for choosing this
Aspire Ultimate 8 Mattress Replacement.
**It is important that you read this user manual carefully
before using your new mattress replacement.**

TABLE OF CONTENTS

1. Symbols Used In This Manual	4
2. Symbols Used on the Product	4
3. Introduction	5
4. Safety Precautions	6
5. Product Safeguards	7
6. Product Overview	8
7. Assembly & Setup	9
8. Operation	12
9. Product Specifications	16
10. Cleaning	17
11. Maintenance & Storage	18
12. Troubleshooting	19
13. Service Maintenance & Customisation	20
14. Compliance	20
15. Recycling info	21
16. Manufacturer, UK Representative & Importer Details	21
17. Service Log Book	22

UK This product Features the UKCA mark, in compliance with Part II
CA UK MDR 2002 (as amended) Class 1.

© Aidacare Pty Ltd 2023

No part of this user manual may be copied, distributed, reproduced, scanned or stored on any electronic database, whether in whole or in part in any form or by any means.

Due care has been taken to ensure all the information contained in this user manual is correct at the time of printing. All measurements, pictures, colours and weight capacities are to be used as a guide only. We reserve the right to modify the design or appearance of any product displayed in this user manual without prior notice.

1. SYMBOLS USED IN THIS MANUAL

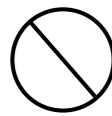
The symbols below are used throughout this user manual and on the product to identify warnings and important information. It is important to understand the symbols used, if you have further questions please contact Aidacare.



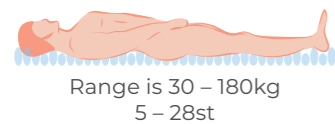
WARNING! Indicates a potentially hazardous condition/situation. Failure to follow designated procedures can cause either personal injury, component damage or malfunction. On the product, this icon is represented as a black symbol on a white triangle with a black border.



ALWAYS! These actions are mandatory. Failure to perform mandatory actions can cause personal injury and/or equipment damage. On the product, this icon is represented as a white infinity symbol on a black dot with a white border.




DO NOT! These actions are prohibited. These actions should not be performed at any time or in any circumstances. Performing a prohibited action can cause personal injury and/or equipment damage. On the product, this icon is represented as a white symbol with a black circle and black slash.



PATIENT WEIGHT RANGE. This represents the range within which the mattress replacement provides effective pressure redistribution outcomes. Patient weight should NOT fall outside this range at any time as this may void warranty and/or produce ineffective patient support outcomes.

2. SYMBOLS USED ON THE PRODUCT




Pump: GSP494790 | GSP494790-UK

SN

Suits Mattress:
Single PTM639320 | PTM639320-UK
King Single PTM639330 | PTM639330-UK

Air Output: >6L/Min | Pressure Range: 10-60mmHg
Electrical Power Supply: 220 - 240V; 50Hz



- # Product Code
- SN Serial Number
- Person icon "Type BF" as per IEC60601-1
- MD Medical Device
- UKCA UKCA Mark
- Info icon Read User Manual
- Electrical icon Class II Electrical Equipment
- Hourglass icon Includes Electronics components and should not be mixed with General household waste
- Warning icon Caution

3. INTRODUCTION

CLINICAL APPLICATIONS AND AREA OF USE

This Alternating Mattress Replacement is appropriate for adult patient care and should only be used under the instruction of a carer or health professional where concerns exist around patient safe use.

INTENDED USE

This product is intended to help and reduce the incidence of pressure ulcers while optimising patient comfort. This product may be used in a variety of environments including but not limited to in home care, aged care and hospital.

PRODUCT DESCRIPTION

The Ultimate 8 is a high end, specialised dynamic mattress replacement system with a digital pump, targeted towards the assistive treatment for patients who have existing and potentially severe pressure injury.

This system is designed for those patients considered to be at very high risk of pressure ulcer development and has a deep cell, consisting of two layers. The bottom layer remains inflated at all times to increase stability and reduce bottoming in the event of a power failure.

The top layer inflates and deflates during the alternating cycle. The specially designed top air cells operate in a ten-minute alternating pattern with a 1 1/2 minute pressure equalling of air cells between each cycle. This process provides direct pressure relief and patient stability throughout the whole dynamic process.

The multi-stretch, vapour permeable cover comprises of a high-level coating of polyurethane, which makes it easy to clean whilst complying with strict infection control procedures.

The prompt and rapid cell deflation between cycles physically ventilates, thus allowing immediate pressure relief between cell changeover, rather than awaiting deflation under patient weight as is often the case.

KEY FEATURES

HIGH LEVEL PRESSURE THERAPY:

- Promotes circulation and provides pressure redistribution to treat and prevent pressure injuries
- Rapid release CPR allows quick deflation of the mattress, including head cells, in emergencies
- Prevents bottoming out by increasing sacral zone air pressure when the mattress backrest is raised
- 24hr transport mode and static support layer create a security buffer allowing patients to remain on an inflated surface in the event of power failure
- Easy-to-read LCD screen provides clear and precise information on cycle time, operating mode, and fault codes to assist with troubleshooting
- Improves workplace safety via integrated power cord management in the mattress cover
- Designed for durability, the cell guard system improves mattress strength in key entry/exit areas

IMPROVES SLEEP QUALITY:

- Provides a whisper-quiet sleep environment using innovative pump to reduce noise and vibration
- Improves sleep comfort by passing room temperature air beneath the sleep surface, helping to regulate body temperature

EASY INFECTION CONTROL:

- Prevents fluid and bacterial ingress with welded seams and zip protection
- Multi-stretch cover reduces shear and offers a high moisture vapour transfer rate (MVTR) to control skin microclimate
- Easy to clean mattress cover can be laundered at up to 85°

4. SAFETY PRECAUTIONS

It is **IMPORTANT** that this user manual is read entirely prior to operating this product. The document is designed to ensure that operators are equipped with the information required to competently and responsibly operate the mattress replacement and pump.

It is recommended that the user manual be kept in an easily accessible place for quick reference. If required, Aidacare product specialists can provide additional training.

All **WARNINGS** and **CAUTIONS** within this document should be strictly adhered to. Failure to do so could result in harm to the patient or operator.

CAUTIONS highlighted throughout this document identify possible hazards in procedures or conditions, which if not followed correctly could result in equipment damage, or failure.



WARNINGS highlighted throughout this document identify possible hazards in procedures or conditions which if not followed correctly could result in serious injury, or fatality.

GENERAL

- Electrical equipment can be hazardous if used incorrectly.
- Residual current devices (RCD) are not supplied with the Product. Please consult with your Biomedical Engineer/advisor concerning RCD requirements.
- The clinically qualified person responsible should consider the age, size and condition of the patient before using the Alternating Mattress Replacement.
- The maximum safe working load of the Product is 180kg with a safe patient range of 30-180kg.
- This replacement is not to be used on top of a pre-existing support surface. This is a Mattress Replacement so there is no need for a static foam mattress or pressure safety underlay to be located underneath, this replacement can go directly onto the bed platform.

5. PRODUCT SAFEGUARDS

SAFEGUARD	DESCRIPTION
<p>WARNING</p> <p>Maximise Electrical Safety</p>	<ol style="list-style-type: none"> 1. Patients should not operate the product at any time. Always ensure that the Pump is unplugged when not in use. 2. DO NOT disassemble the pump at any time. 3. DO NOT place or store the pump close to water or any other liquid. 4. DO NOT submerge the pump in water or any other liquid. 5. DO NOT make contact with the pump if it has come into contact with water or any other liquid. BEFORE touching the pump or any associated components ensure that mains power has been cut off.
<p>WARNING</p> <p>Safe use for carers and patients</p>	<ol style="list-style-type: none"> 1. The mattress replacement must be operated by connecting it to the pump ensuring that it is not turned off or unplugged whilst in use. 2. ALWAYS ensure that warning labels are adhered to ensuring that voltage is correct, approved power cords are used and that Children & Animals do not come into contact with the packaging materials that could cause suffocation. 3. Equipment is not suitable to be used in the presence of a flammable anaesthetic mixture with air, oxygen or nitrous oxide. 4. KEEP away from sharp objects. 5. Close supervision is necessary when this Product is used by, on, or near children or people with disabilities. 6. Use this Product only for its intended use as described in the user manual. Only use this product with Aidacare approved accessories and attachments. 7. DO NOT operate this product if the pump has a damaged power cord or plug, plug is not working properly, has been dropped or damaged or dropped/submerged into water or another liquid. If this occurs, contact your Aspire dealer immediately for a product inspection. 8. KEEP the power cord away from hot surfaces. 9. DO NOT block the air valves/tubes/openings by placing on a soft surface such as a bed or couch. Keep all valves/tubes/openings responsible for air flow, clear of all lint, hair and other particles. 10. DO NOT insert any object into the air valves/tubes/openings. 11. AVOID dropping pump and do NOT mount any heavy objects on top of it. 12. Place the power cord and air hoses at the patient's foot area to avoid strangling of the patient's neck. 13. AVOID electromagnetic interference by ensuring that electro-magnetic or RF generated equipment is kept away from the patient. 14. Over the course of operation, the pump will generate a small amount of heat. DO NOT maintain skin contact with pump for more than 1 minute at a time. Never cover the pump when it is in use, ensure air flow to pump is free at all times. 15. During a power outage or loss (even if only temporary) the pump will stop and power failure alarm will sound for up to 20 seconds. The pump will return to normal operation once the power supply is resumed. 16. Connect this product to a properly grounded outlet only. 17. AVOID the risk of electrocution by grounding the ground pin with grounding power outlet. 18. The EMC specification is compliant with all regulations and requirements. For power leads with a ground pin, the connection with properly grounded power outlets will suppress the EMC effect. The pump will work correctly for power leads that are not grounded. 19. Connecting auto-detection should only be performed by the operator and not the patient.

6. PRODUCT OVERVIEW

The Ultimate 8 mattress caters to users considered to be at high risk of pressure injury. Unique pump technology reduces noise, promoting improved sleep quality. The mattress is easy to clean and designed for durability.



7. ASSEMBLY & SETUP

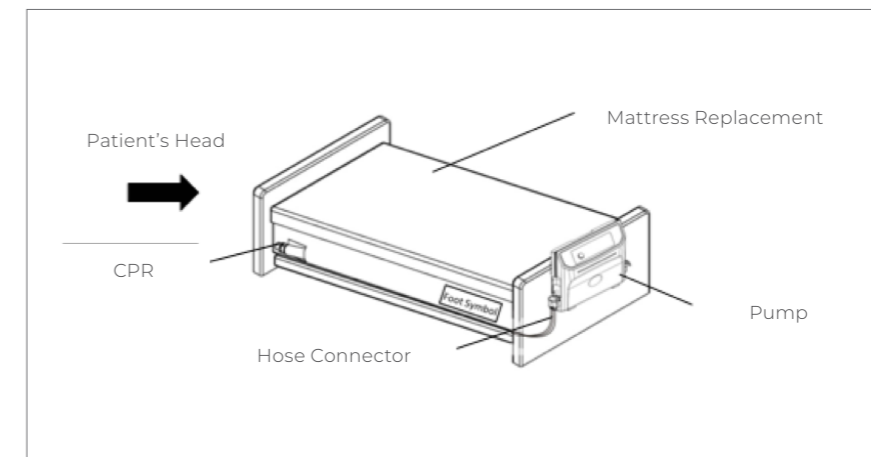
Box Contains:

- Digital Mattress Pump
- Mains Power Cable
- Mattress Replacement
- Transport Carry Bag
- User Manual

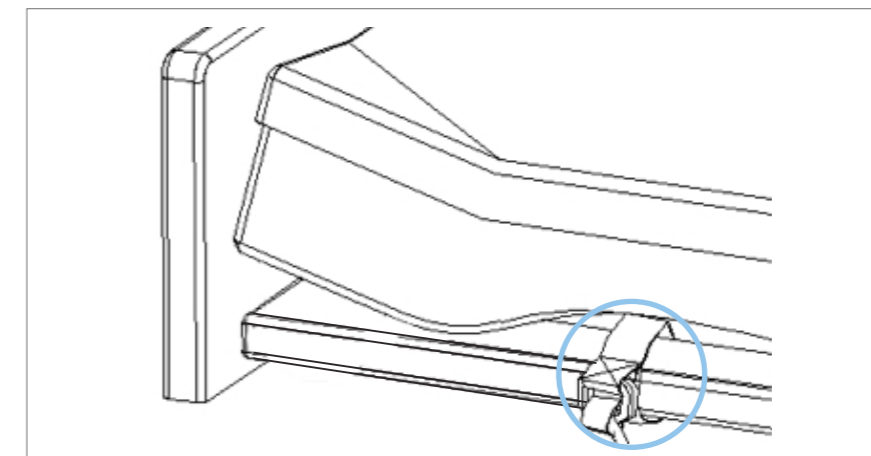


When opening the carton, ensure it is done in a safe and careful manner. **DO NOT USE** a box cutter or sharp implement as this may damage the product.

1. Position the Mattress Replacement directly onto the mattress platform, ensuring that there is no foam mattress or pressure safety underlay underneath. Ensure the air Pump hose is towards the **FOOT END** of the bed so it lines up with the Pump.

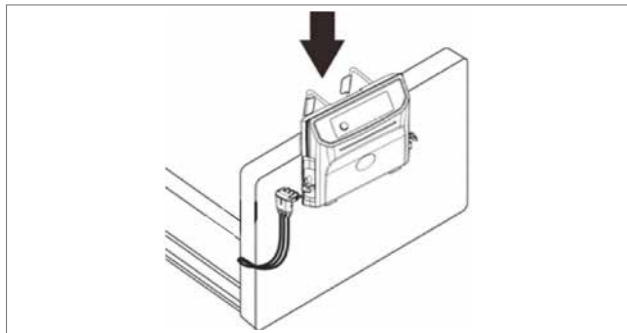


2. Secure the mattress replacement onto the mattress platform by fastening and securing the nylon straps and plastic buckles. If applicable, make sure the nylon straps are attached to moving mattress platform and not to the bedframe.

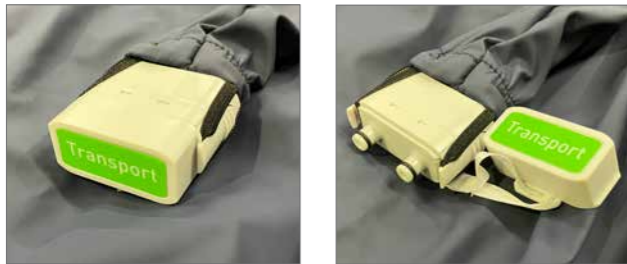




3. Ensure the CPR valve is **CLOSED**.



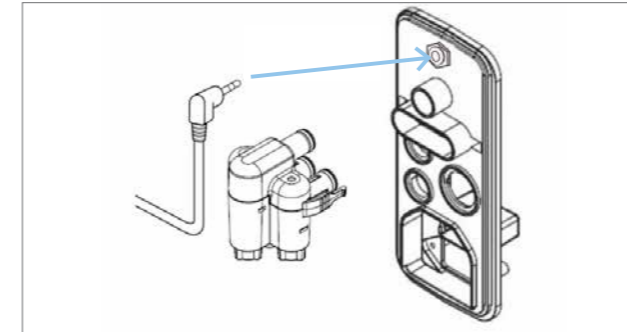
4. Position the pump on the **FOOT END** of the bed end. The spring hanger bracket assembly will self-adjust onto the footboard to secure it in place.



5. Remove the plastic transport cap from the end of the air hose.



6. Firmly push the hose connector into the side of the pump unit until a notable **'click'** sound is heard.



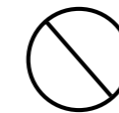
7. Insert 3.5mm sensor cable plug into the pump interface panel jack.



8. Connect the mains power cable to the pump ensuring that the power switch remains switched **OFF**.

9. Plug the mains power cable into the electrical power socket.

10. Set mode suitable for patient, (Refer to **OPERATION** for further details on how to adjust the Mattress Replacement).



DO NOT place the Pump in an area where the power cord can become pinched or stuck.



WARNING

WARNING! The digital pump is only to be used with the Aspire Ultimate 8 and not any other system.

8. OPERATION

WORKING PRINCIPLE

The dynamic mattress system consists of a dynamic air pump and an alternating air mattress. The air mattress has three distinct air cells:

1. Bottom Layer/Pillow Air Cells – The bottom layer of air cells remain static throughout to ensure stability and prevent bottoming whilst the pillow air cells 1,2 and 3 remain inflated to avoid head movement / sickness to the user.
2. Group A Air Cells – Air cells 4,6,8,10,12,14,16,18 & 20.
3. Group B Air Cells – Air cells 5,7,9,11,13,15,17 & 19.

A and B air cells alternate inflating and deflating by using the pump. This air alternating mattress system enhances the blood circulation to treat and prevent pressure ulcers, when part of a holistic care package. Initialisation can take up to 50 minutes to achieve & it is recommended that a Rapid Inflator is used where possible, in order to reduce the inflation time to seconds.

Various modes can be set on the digital pump to ensure maximum comfort and pressure redistribution for the patient.



ADJUSTMENT CONTROL PANEL OPERATION

- | | | |
|--|---------------------|--------------------|
| 1 Power On / Ready for Use | 3 Function Lock Out | 5 Service Required |
| 2 Automatic Pressure Adjustment for Specific Patient | 4 Mute | |

POWER ON/READY FOR USE

1. To turn on the pump, press the **ON/OFF** button on the control panel.
2. The 'POWER' LED will illuminate and inflate to normal pressure (**This will take up to 20 minutes**).



FUNCTION LOCK OUT

Carers can lock out functions to ensure these are not accidentally toggled, impacting the operation of the mattress for the particular patient.

1. Press and hold the function lock out button until the LED light is illuminated. When illuminated the functions are locked out.
2. To reverse this process, press and hold the function lock out button until the LED light is OFF. When LED is OFF all functions are unlocked.
3. Lock out function will occur after 30 seconds if the panel is not toggled or pressed.



STATIC / TRANSFER MODE

Static Mode

This function stops the mattress from alternating and maintains the set pressure level for a duration of 20 minutes before defaulting back to the previously selected alternating mode.

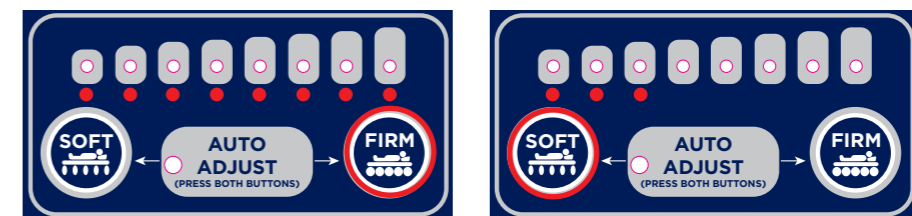
1. Press static/transfer button until LED light is illuminated.
2. Static mode will automatically fall back to alternating after 30 minutes.



COMFORT (PRESSURE) ADJUSTMENT

Press the FIRM and SOFT buttons to enter patient weight.

The pressure of the mattress will automatically adjust according to table on the side of the pump.



NOTE: The below table indicates the suggested pressure according to the patients weight. This is intended as a guide only as patient body shapes vary.

aspire		
PATIENT WEIGHT GUIDE		
Pressure Range (mmHg)	Patient Weight Range	
	KG	ST
10 - 12	30 - 40	4 - 6
14 - 16	50 - 60	7 - 9
18 - 20	70 - 80	11 - 12
22 - 24	90 - 100	14 - 15
26 - 28	110 - 120	17 - 18
30 - 32	130 - 140	20 - 22
34 - 40	150 - 160	23 - 25
46 - 60	170 - 180	26 - 28
SWL 180KG 28.3ST		

MUTE

1. Press mute button to nullify all alarms from the pump.
2. If issue is not rectified, the mute button will automatically disable and the alarm will reactivate. This is a safety function to ensure a prompt response when an issue or fault occurs.



LOW PRESSURE

If correct pressure is not achieved for the patient an alarm will sound.

1. Refer to the Troubleshooting sticker on the base of the pump to identify potential solutions. If the issue persists please contact your retailer or Aidacare.

POWER FAILURE

1. If the pump senses a power failure, the alarm will sound and will be constant.
2. Refer to the Troubleshooting sticker on the base of the pump to identify potential solutions. If the issue persists please contact your retailer or Aidacare.

SERVICE REQUIRED

1. If the pump senses a fault or issue, the service LED light will illuminate.
2. Refer to the Troubleshooting sticker on the base of the pump to identify potential solutions. If the issue persists please contact your retailer or Aidacare.



GENERAL OPERATION

CPR

1. Locate the CPR valve at the **HEAD** end of the bed.
2. Open the CPR valve by pulling the CPR tab.
3. Locate pump hose and disconnect from the pump.



9. PRODUCT SPECIFICATIONS

Pump – GSP494790	
Dimensions (W x D x H)	260 x 90 x 140mm / 10" x 3.5" x 5.5"
Cycle Times	11 1/2 minutes
Static Time	30 minutes
Pump unit Output Pressure Range (mmHg)	10-60
Voltage	AC230 V 50Hz
Current	0.23 AMAX (@253V~)
Fuse Rating	F1.0A 250V
Frequency	50 / 60 Hz
Classification	Class I
	Type BF
Operation Environment	5~ 40°C
	15% ~ 90% Relative Humidity (no condensation)
Storage Environment	-25 ~ 70°C
	90% Relative Humidity (no condensation)
Environment Pressure (kPa)	70 ~ 106
Environment Horizontal Altitudes	≤ 3000m
Water and Dust Protection Classification	IP21

Mattress Replacement	Single – PTM639320		King Single – PTM639330	
Dimensions (L x W x H)	2000 x 900 x 200mm / 79" x 35.5" x 8"		2000 x 1050 x 200mm / 79" x 41" x 8"	
Weight	10.5kg	23lb	11.5kg	25lb
Cell Material	TPU			
No. of Air Cells	24			
Cover Material	Multi-stretch PU coated fabric with high MVTR			
Bottom Material	Polyester-PU			
Max Weight	180kg / 28st			

10. CLEANING

To ensure all infection control protocols are strictly adhered to, it is extremely important to follow the below steps to keep the product clean at all times.

Pump

- Wipe with a damp cloth that has been pre-soaked with a mild detergent.
- Ensure pump is kept free of dust and other particles.




DO NOT! Immerse or soak the pump at any time.


Mattress Cover

CLEANING INFORMATION


Please wipe the cover with a disposable, soft cloth, which has been moistened with warm water and detergent (advisory at 40°C). Ensure to dry thoroughly.




Tumble dry on low heat




Do not bleach



Do not dry clean



Do not iron



Machine wash up to 95°

- To remove small spills or stains, wipe the mattress cover with a damp cloth that has been pre-soaked with a mild detergent or single use disinfectant wipe.
- To remove large spills or stains, the top cover should be completely removed and laundered as per below procedure:

1. Remove top cover by unzipping all 4 x sides from the mattress base.
2. Prewash top cover at up to 95° for 15 minutes.
3. Main wash top cover at up to 95° for 15 minutes.
4. Dry mattress cover prior to use by hanging up on a line/air dryer or on a low heat setting it can be tumble dried for up to 90 minutes.
5. Once dry, reattach top cover by zipping all 4 sides back onto the mattress base.



DO NOT! Use phenol based products.



WARNING! After cleaning, the mattress must be completely dried prior to use.



WARNING! Do not dry mattress cover in direct sunlight to prevent wearing out of text on cover.

11. MAINTENANCE & STORAGE

To ensure longevity of your Alternating Mattress Replacement, it is very important that it is correctly stored and regularly maintained.

General

- Check mains power cable and plug for any abrasions or excessive wearing.
- Check mattress cover for signs of wear or damage.
- Check air hoses for any kinks or breakages .

Fuse Replacement

- Disconnect the mains power if there is a blown fuse.
- Remove the cover on the side casing of the pump.
- Remove old fuse and reinsert a new fuse, fix in place with the cover.



WARNING

WARNING! Only use fuse supplied by your Aspire Dealer, ensuring it has the correct rating and specification.

Air Filter Replacement

- Remove the cover on the rear casing of the pump.
- Remove old filter and reinsert a new filter, fix in place with the cover.

NOTE: If the filter does not require replacement, it can be cleaned by being washed gently with a mild detergent and warm water. Ensure the filter is dry prior to installing back into the pump.



WARNING

WARNING! Only use filter supplied by your Aspire Dealer, ensuring it has the correct rating and specification.

Storage

- Release all air from mattress by **OPENING CPR** valve and disconnecting the mattress hose from the pump.
- Lay the mattress out flat & roll from **HEAD** end towards **FOOT** end.
- Tighten mattress straps into clamps to prevent mattress unrolling.
- Packing strap can then be stretched around the rolled mattress to prevent unrolling.

12. TROUBLESHOOTING

PROBLEM	SOLUTION
Pump will not connect with mattress	Check mattress and pump are compatible, only Aspire pumps are to be used with this system Check plastic transport cap has been removed and ensure the connection is not broken If problem persists, contact your Aspire dealer
Pump not working	Check pump is connected to mains power Check power switch is in the ON position If problem persists, contact your Aspire dealer
Power failure	Check pump is connected to mains power Check power switch is in the ON position If problem persists, contact your Aspire dealer
Low pressure LED light flashing/alarm is going off	Check CPR valve is in CLOSED position Check air hoses/tubes are tightly secured Check all coupling connections along the mattress are secured If problem persists, contact your Aspire dealer
Pump is on but mattress will not alternate	Ensure the mattress is inflated Check if ALTERNATING mode is ON Check if SERVICE REQUIRED LED, if yes, contact your Aspire dealer
Alarm is sounding	Press mute for system to be verified If alarm continues to sound, contact your Aspire dealer
Noisy pump	Check pump is mounted correctly and flat against FOOT end of bed If noise persists, contact your Aspire dealer
Bottoming out but no alarm	Check pressure setting is correct for specific patient, adjust comfort dial according to the patient weight range table on page 16 Refer to 'Low pressure light flashing/alarm is going off' point above If the problem persists, contact your Aspire dealer

As a quick reference tool, refer to the troubleshooting sticker on the base of the Pump casing for quick solutions. Always refer to the user manual where possible.

TRUBLESHOOTING

ISSUES	POSSIBLE CAUSES	POSSIBLE RESOLUTIONS
Alarm beeping - Flashing No lights	Plug not properly connected/switched off at wall Power outage has occurred Fuse is broken - Machine or system broken	Make sure the power is correctly connected Is the voltage normal (power outage occurred)? Await re-connection of power Check fuse, replace if broken Switch pump off and on again
Alarm beeping - Flashing Mattress soft or flat	Mattress not connected to pump correctly Air tube disconnected or damaged CPR not attached properly	Check tube connectors are attached to mattress Ensure CPR is closed tightly
Alarm beeping - Flashing Mattress too hard or soft	Air pressure not adjusting to required level	Hold down lock key (3 seconds) then adjust the pump pressure (firmer or softer) according to user weight until suitable and comfortable
Mattress flat or very soft	Air hoses are loose or not connected properly CPR not attached properly Air pressure is not adjusting to required level	Check all air hoses and connectors - Ensure CPR is closed tightly Adjust pressure on pump. If showing maximum pressure and full inflation has not been achieved, pump may be faulty
Noisy pump	Pump not located on a flat area or hooked properly on bed end Pump has been dropped or has loose internal components	Ensure pump is on flat area and in suitable position on bed end

If problem persists, please contact your Aspire dealer or Aidacare to arrange repair or replacement

13. SERVICE MAINTENANCE & CUSTOMISATION

Aspire Ultimate 8 Alternating Mattress Replacements carry a comprehensive warranty as detailed below. Please keep proof of purchase for proof of warranty commencement.

2 YEARS WARRANTY
Pump + Mattress

Aidacare does not warrant against excessive or incorrect use, modification or any situation that could not be deemed as fair wear and tear. This is a back to base warranty and does not cover freight costs pertaining to the return of any items under warranty. For further information contact Aidacare.

Aidacare will not warrant the safety and or correct functioning of products where any original components have been changed or modified by non-Aidacare approved and trained service & maintenance staff or external providers. Furthermore, safety is not guaranteed where components have been replaced with non-original Aidacare approved parts. All Air Mattress customisation, modifications and or alterations made to this product are considered as "custom" changes. These may cause the product to no longer meet safety standards and should be considered prior to commencement. Any customisation or modification of the Air Mattress is not warranted by Aidacare and will void warranty. If any faults are detected upon receipt of this product please phone Aidacare. Any faults that are detected during normal use should be reported to Aidacare immediately to determine if warranty conditions apply and if so, the necessary repair or replacement work to be completed.

Spare parts list is available upon request.

For servicing, preventative maintenance and any other questions regarding this or any other Aidacare product please contact Aidacare.

14. COMPLIANCE

This Air Mattress range is manufactured in ISO compliant production facilities in the UK to strict quality control standards.

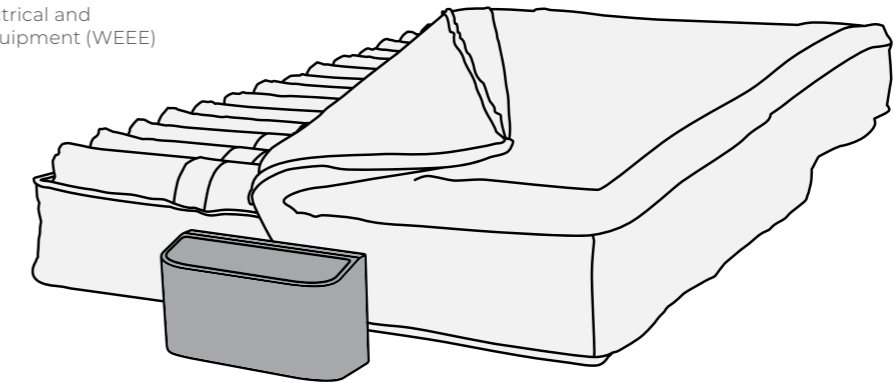
Aspire Air mattresses are manufactured and independently tested to the market relevant compliance standards.

Labels on the wheelchair address compliance requirements and users should familiarise themselves with these prior to use.

15. RECYCLING INFO

This product is fitted with electronic components and should not be mixed with general household waste. Please follow the diagram below to identify materials on the product. Old batteries and electronics are to be taken to your nearest recycling centre for recycling or contact your retailer.

Waste of Electrical and Electronic Equipment (WEEE)



16. MANUFACTURER, UK REPRESENTATIVE & IMPORTER DETAILS

If you have any questions, you can contact:



Manufacturer:

Aidacare Pty Ltd

ABN 40 134 833

Building 3A, 1 Moorebank Avenue,
Moorebank NSW 2170
Australia

1300 133 120 | product@aidacare.com.au



UK Representative:

European Device Solutions Ltd

15 Coanwood Drive, Whitley Bay
Tyne and Wear NE25 9GB

info@europeandevicesolutions.co.uk



Importer:

Aidacare Ltd

Registration 13785408

Arcadia House, Maritime Walk, Ocean Village,
Southampton SO14 3TL
United Kingdom

01622 541235 | info@aidacare.co.uk

17. SERVICE LOG BOOK

Year 1 Date: _____

Service Type: _____

Condition Report: _____

Inspected by: _____ Signature: _____

Action taken: _____ Date: _____

Year 2 Date: _____

Service Type: _____

Condition Report: _____

Inspected by: _____ Signature: _____

Action taken: _____ Date: _____

Year 3 Date: _____

Service Type: _____

Condition Report: _____

Inspected by: _____ Signature: _____

Action taken: _____ Date: _____

Year 4 Date: _____

Service Type: _____

Condition Report: _____

Inspected by: _____ Signature: _____

Action taken: _____ Date: _____

Year 5 Date: _____

Service Type: _____

Condition Report: _____

Inspected by: _____ Signature: _____

Action taken: _____ Date: _____

AIDACARE PTY LTD

Building 3A, 1 Moorebank Avenue,
Moorebank NSW 2170
Australia

1300 133 120 | aidacare.com.au

AIDACARE LIMITED

Arcadia House, Maritime Walk,
Ocean Village, Southampton SO14 3TL
United Kingdom

01622 541235 | aidacare.co.uk

MADE IN PRC

ASUM87.8 161023

