

Associated Bariatric Products



Shower Commodes



Shower Chairs



Mobile Shower
Trolleys



Powerlift Recliners



King Single Beds



Mattresses



Day Chairs



Lifters



Power Wheelchairs



Scooters



Walking Frames



Manual Wheelchairs



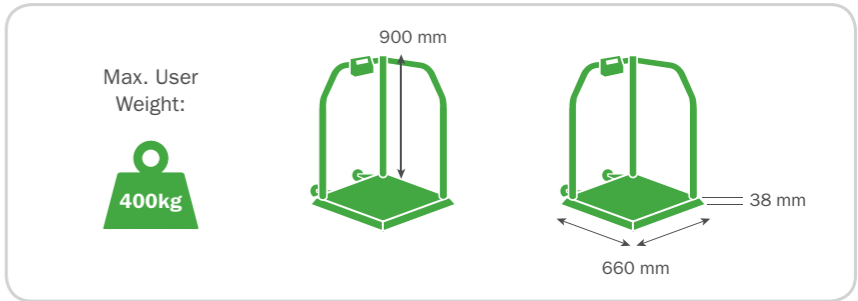
1300 133 120
www.aidacare.com.au

BariScale

Mobile, accurate measuring
of your bariatric residents

The Australian made BariScale is engineered using hospital grade stainless steel and features a 400kg capacity.

Finally there is a bariatric scale system with the durability and mobility to meet the emerging needs of hospitals and facilities with heavy patients.



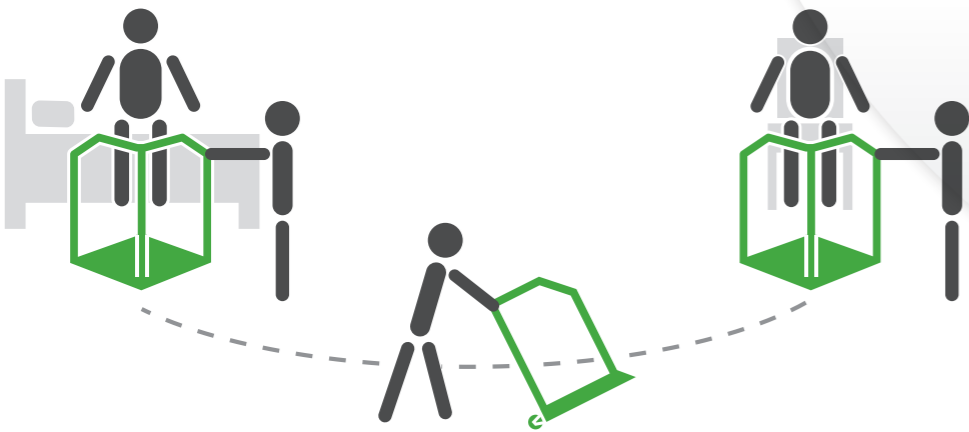
DIGITAL

Advanced digital display with battery and power pack



PORTABLE

Easily transported using the durable nylon castors and hand rails. The scale can be centrally stored and wheeled to the bedside or chair of the patient or resident



HYGIENIC

Stainless steel handrails for easy cleaning and sanitising and powder coated weigh pan for durability

ACCESS

Open front design and robust handrails allow for the largest patients or residents to safely access the platform



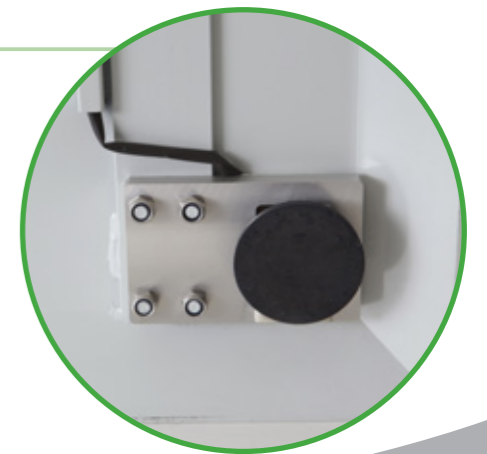
STABILITY

Base plate has been designed to minimise tripping hazards and increased accessibility with it's super low clearance (38mm) and tapered sides



ACCURATE

4 x high quality industrial load cells provide precision weight readings up to 400kg



Product Code: LSS362005

1300 133 120
www.aidacare.com.au

