

FL FULL LENGTH SIDE RAILS

ASSEMBLY GUIDE

Full Length Rails – Set of 4

[BEB048785](#) Sublime Teak | [BEB048790](#) Milano Walnut

Bed End Set – Single

[BEB048750](#) Sublime Teak | [BEB048755](#) Milano Walnut

Bed End Set – King Single

[BEB048770](#) Sublime Teak | [BEB048775](#) Milano Walnut

Recommended Tools:



Phillips head
screw driver



3mm Allen key

FL full length side rails are designed to provide a safety barrier to minimise the risk of a resident falling from the bed. These are supplied as a full kit and cannot be used with standard head and foot boards.

Carton Contains:

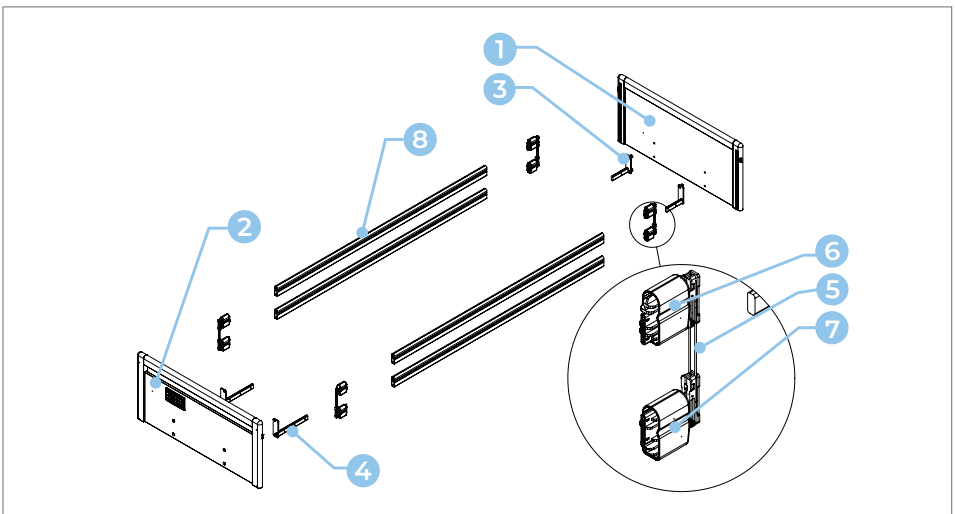
As rails and bed ends are packaged separately, a full kit contains 2 x cartons.

Bed End Set (Carton 1)

- 1 Headboard
- 2 Footboard
- 3 2 x Head end board holders (short)
- 4 2 x Foot end board holders (long)

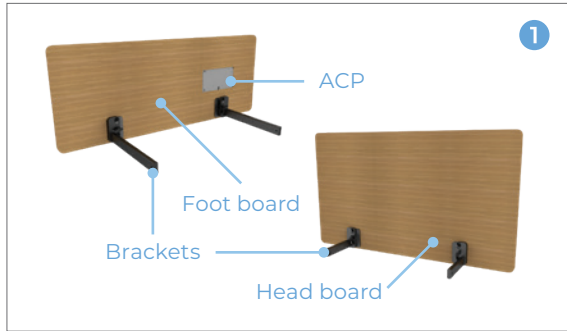
Full Length Rails Set (Carton 2)

- 5 4 x Wire guides
- 6 4 x End caps – Top
- 7 4 x End caps – Bottom
- 8 4 x Full length rails



Assembly of the full length rails:

1. Remove existing head and foot boards and board holders from bed (if fitted) and put aside.



2. Assemble the board holders (3 & 4) to the new headboard (1) and footboard (2) for full length rails. Ensure the brackets are orientated towards each other as shown and are mounted to the same side of the board as the aluminium tracks.

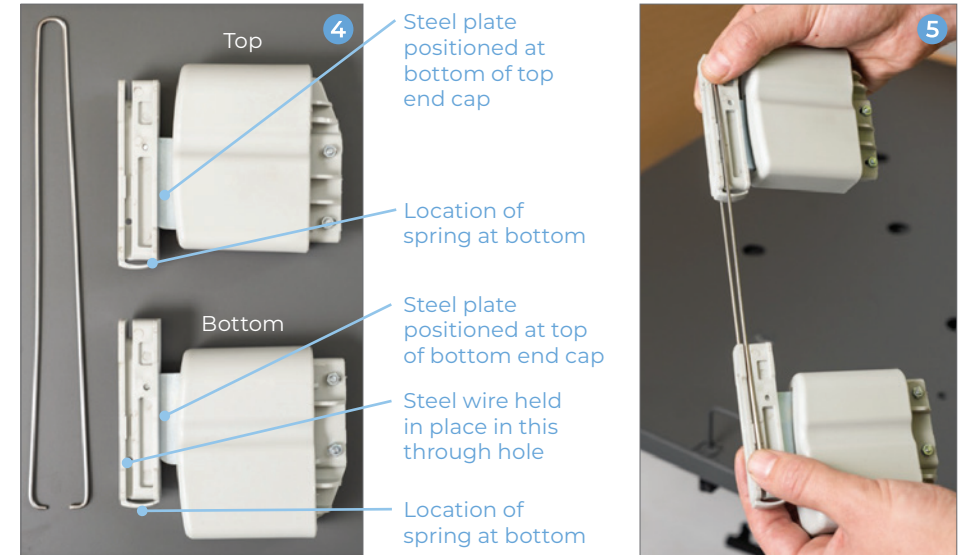


Do not over tighten the bolts as this could damage the boards.

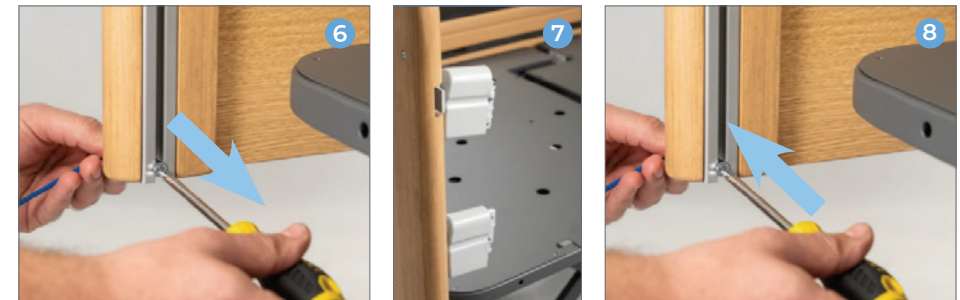
3. Insert new headboard (1) and footboard (2) onto the bed leaving a 10mm gap between the board and transport trolley receiver nut.



4. Assemble the plastic end caps (6 & 7) and wire guide (5) as shown. Ensure that the top cap (6) slides up and down the wire easily. If assembly is correct top and bottom caps will not touch.
5. Repeat step (4) until all four assemblies have been completed.



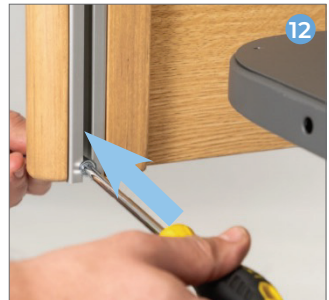
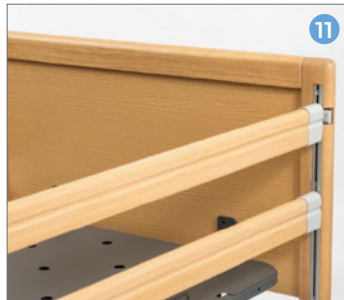
6. Remove the bolt and spacer from the bottom of each of the four aluminium tracks.
7. On the headboard (1), slide plastic cap assemblies into the aluminium track and all the way to the top.
8. Replace the bolt and spacer at the bottom of the track of the headboard (1) to prevent the end caps from falling out.



9. On the headboard **1**, release the end cap assemblies by raising the top end cap **6** slightly and pressing the button. Let the end cap rest in the down position.
10. Slide the footboard end caps **4** on to the rail ensuring correct orientation. Finally slot the rail **8** into end caps already on the headboard **1**.



11. Slide the foot end cap **7** assemblies into the foot board **2**. Slide rails all the way to the top and lock in place. Ensure wire **5** does not come loose during this step.
12. Replace the bolt and spacer at the bottom of the track for the foot board **5**.



13. Repeat steps **9** to **12** for other side of the bed.
14. Assembly is now complete.