

INVISA-BEAM® is an early warning monitoring device that gives positive detection for falls prevention. Precise invisible beams continuously monitor the bed/chair. When the patient/resident, at high risk of falling, attempts to leave the bed/chair, an alarm is transmitted to alert the nurse/carer for assistance.

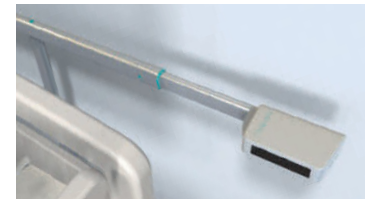
## DUAL BEAM BED MONITOR

- Aids for falls prevention from beds.
- Alerts the nurse at the earliest stage, when the patient attempts to leave the bed
- Patient security can help prevent unauthorised entry to the bed
- Alerts the staff of any unauthorised entry to the bed
- Monitors both sides of the bed with precise invisible beams
- Total Wireless Operation
- Bed free of equipment and cables
- Hands-free: A bonus for infection control
- Monitor alarm cancels when the nurse enters the field of the bed (with Invisalert or entry pass only)
- Monitor alarm automatically resets when the nurse leaves the bed (with Invisalert or entry pass only)
- Activity at the bedside can be recorded - a management tool (optional)
- Can be used for lowered beds; also for bariatrics.
- Invisa-beam® uses heavy duty, industrial German sensors. They have been in use for over 10 years without faults
- Two touchpad switches are provided to display the icons for on/off and delay.



### SUITABLE FOR:

- Hospitals
- Aged Care Facilities
- Nursing Homes
- High Care



BEA007216 - Dual Beam Monitor with Mono & Stereo

BEA007217 - Dual Beam Monitor with Remote Alarm

BEA007218 - Dual Beam Monitor with Invisalert

## REMOTE ALARM

- Long-range wireless communication to Invisa-beam®
- Dual Volume
- Connects to one single monitor at a time
- Runs on both Li-Ion Rechargeable Battery and Mains Power
- Simple to pair (reassign)



BEA007215 - Remote Alarm with Power Supply

## ADDITIONAL ACCESSORIES

BEA007210 - Range Extender

## INVISALERT®

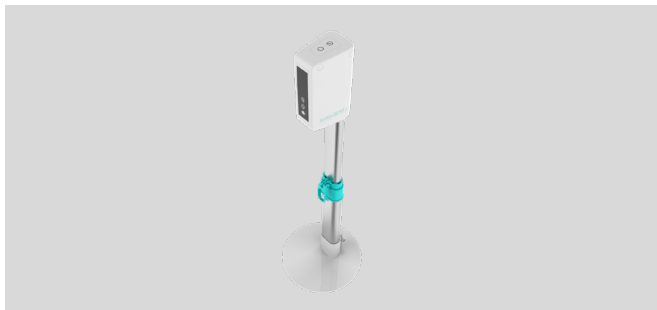
Invisalert® allows the nurse free access to the patient without worrying about switches.

- Displays the location of the alarm source - Bed & Room
- Vibrating alarm
- Audible alarm

When the nurse attends to the patient in response to an alarm:

- Invisalert® cancels the alarm
- Allows the bed monitor to reset once the nurse has left





## ADJUSTABEAM

- For use with Beds, Chairs and Doorways
- Adjustable Beam Length - from 500mm to 3000mm via "Sensor Adjust" Button
- Monitor one single side of the bed or chair
- Low Height adjustable stand
- Runs on both Li-Ion Rechargeable Battery and Mains Power

BEA007225 - Adjustabeam w/Mono and Stereo Cables

BEA007226 - Adjustabeam w/Remote Alarm

BEA007227 - Adjustabeam w/Invisalert

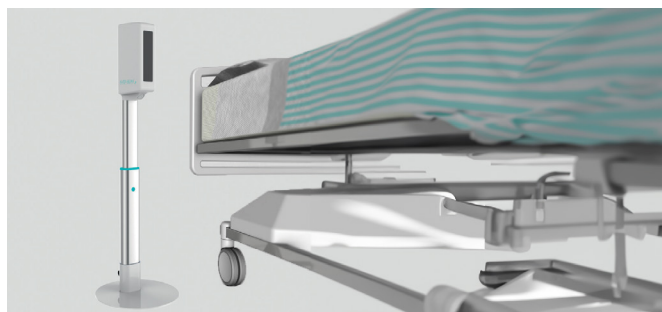


## CHAIR MONITOR

- For use with Chairs and Doorways
- Fixed Beam Length - 1.2 metres
- Fixed Height Stand
- Runs on both Li-Ion Rechargeable Battery & Mains Power

BEA007190 - Chair Monitor with Remote Alarm

BEA007192 - Chair Monitor with Pager



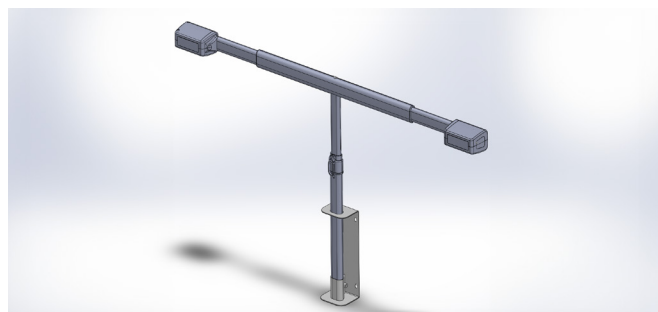
## FREE-STANDING MPM MONITOR

- Free-Standing Bed Monitor stands at the head of the bed to monitor the side of the bed
- It is power-operated
- The height is adjustable for lowered beds
- Fixed beam length - 2 Metres

BEA007220 - MPM Bed Monitor w/ Mono & Stereo Plug

BEA007221 - MPM Bed Monitor w/ Remote Alarm

BEA007222 - MPM Bed Monitor w/ Invisalert



## WALL MOUNT BRACKET

- Dimensions - H: 350mm x W: 120mm x D: 90mm
- Suitable for MPM and Dual Beam
- Simple Installation with multiple mounting hole options
- Allow rooms to remain setup reducing setup time
- Securely mounted minimising accidental damage
- Powder coated steel for easy cleaning and longevity